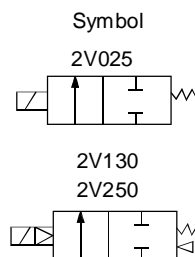


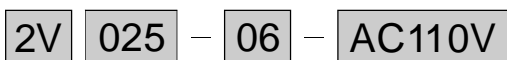
2 Port Solenoid Valve Series 2V



◆ Specifications

Model	2V025-06	2V025-08	2V130-10	2V130-15	2V250-20	2V250-25
Fluid	Air, Water, Oil					
Action	Direct acting, normally closed			Internally pilot acting, normally closed		
Type of actuation	2 port 2 position					
Orifice size	2.5mm		13mm		25mm	
Cv	0.23		6.2		23	
Port size	1/8	1/4	3/8	1/2	3/4	1
Viscosity limit	Under 20CST					
Operating pressure range	Air, Water, Oil:0~1.0 MPa			Air, Water, Oil:0.05~1.0 MPa		
Proof pressure	1.5 MPa					
Ambient and fluid temperature	-10~80℃(No freezing)					
Allowable voltage range	AC: -20%~+10% of rated voltage			DC: -15%~+10% of rated voltage		
Protect	IP65					
Power consumption	AC220V: 4.5VA DC24V: 5.0W					
Insulation	F Class					
Material of body	Brass with zinc plated			Brass		
Seal material	VITON			NBR		
Min.actinong time secretary	0.05					

◆ How to Order



Rated voltage

DC12V	DC24V	AC24V	50/60Hz
AC110V	50/60Hz	AC220V	50/60Hz
AC380V	50/60Hz		

Port size

06	1/8	08	1/4	10	3/8
15	1/2	20	3/4	25	1

Orifice size

025	2.5mm	130	13mm	250	25mm
-----	-------	-----	------	-----	------

Model

2V	2 port 2 position solenoid valve (DIN terminal type)
----	--

※ Note): Please consult us for other voltage and port size.

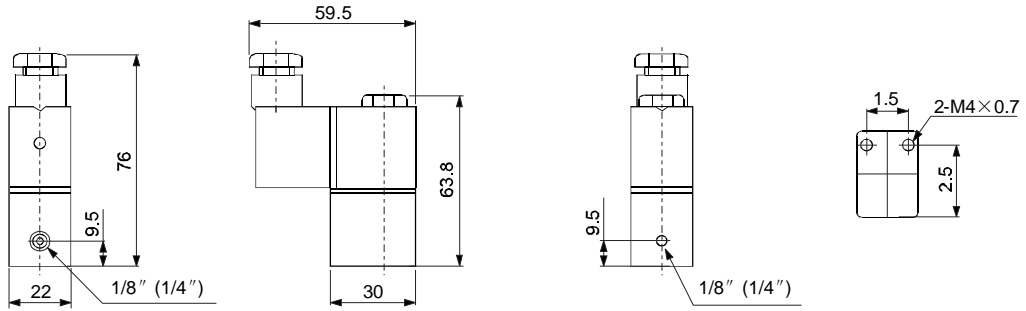
- II
- VF
- SY
- SYJ
- 4V100
- 4V200
- 4V300
- 4V400
- VT307
- VP
- 3V
- 2W
- 2WH
- 2L
- 2V
- 2P
- VFA
- SYA
- 4A100
- 4A200
- 4A300
- 3A100
- 3A200
- 3A300
- 3L
- 4L
- 4H
- SL,SH
- 4HV
- HV,K
- 3FM
- 3F
- 4F
- FV
- MSV
- MOV
- JM
- TAC
- HSV
- RE
- ASC
- KA
- ACV
- KS
- QE
- Manifold

2 Port Solenoid Valve

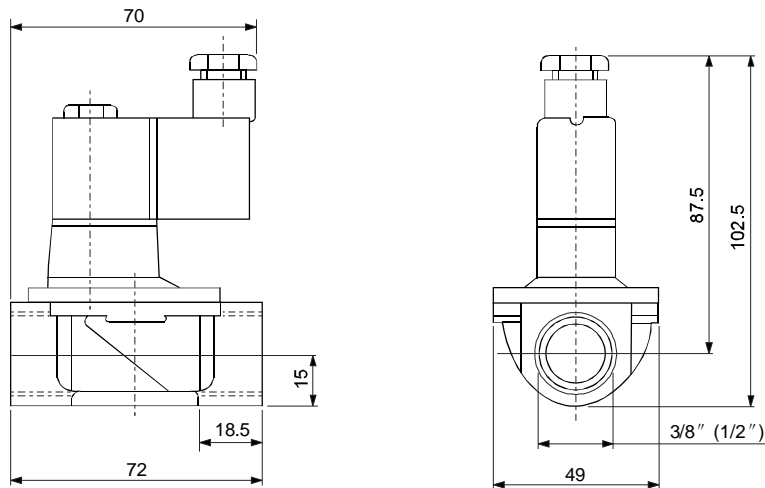
Series 2V

◆ **Dimensions**

2V025-06
2V025-08



2V130-10
2V130-15



2V250-20
2V250-25

