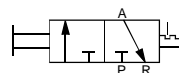


3 Port Push-pull Valve Series 3L



Symbol



◆ Specifications

Item/Type	3L110-06	3L210-06	3L210-08	3L310-08	3L310-10
Fluid	Air				
Type of actuation	3 port 2 position(Normally closed)				
Port size	In=Out=1/8		In=Out=1/4		In=Out=3/8
Orifice size	12mm ² (Cv=0.67)	14mm ² (Cv=0.78)	16mm ² (Cv=0.89)	25mm ² (Cv=1.39)	30mm ² (Cv=1.67)
Operating pressure range	0~0.8 MPa				
Proof pressure	1.2 MPa				
Ambient and fluid temperature	-5~60°C (No freezing)				

◆ How to Order

3L **1** **10** - **06**

<p>Port size</p> <p>Type of actuation</p> <p>Series</p> <p>Model</p>	06	1/8	08	1/4	10	3/8
	10	3 port 2 position				
	1	100 series	2	200 series	3	300 series
	3L	3 port 2 position push-pull valve				

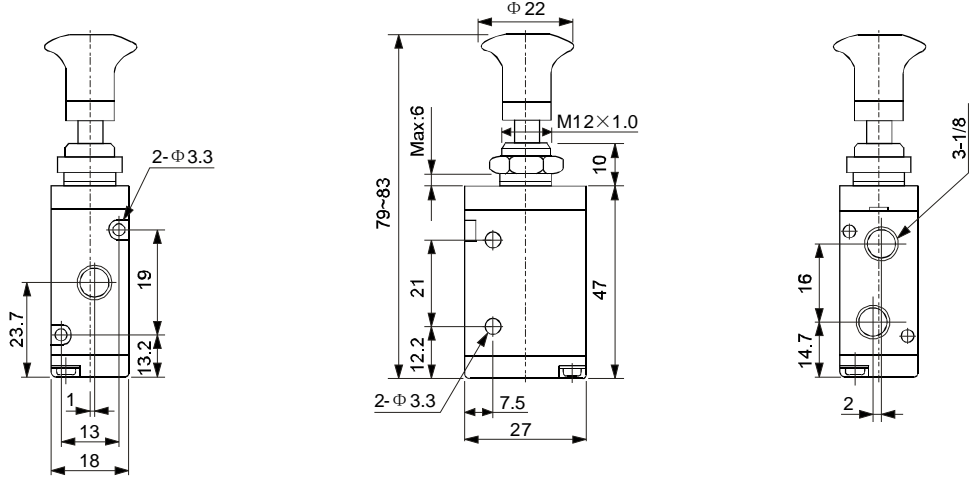
II

- VF
- SY
- SYJ
- 4V100
- 4V200
- 4V300
- 4V400
- VT307
- VP
- 3V
- 2W
- 2WH
- 2L
- 2V
- 2P
- VFA
- SYA
- 4A100
- 4A200
- 4A300
- 3A100
- 3A200
- 3A300
- 3L
- 4L
- 4H
- SL,SH
- 4HV
- HV,K
- 3FM
- 3F
- 4F
- FV
- MSV
- MOV
- JM
- TAC
- HSV
- RE
- ASC
- KA
- ACV
- KS
- QE
- Manifold

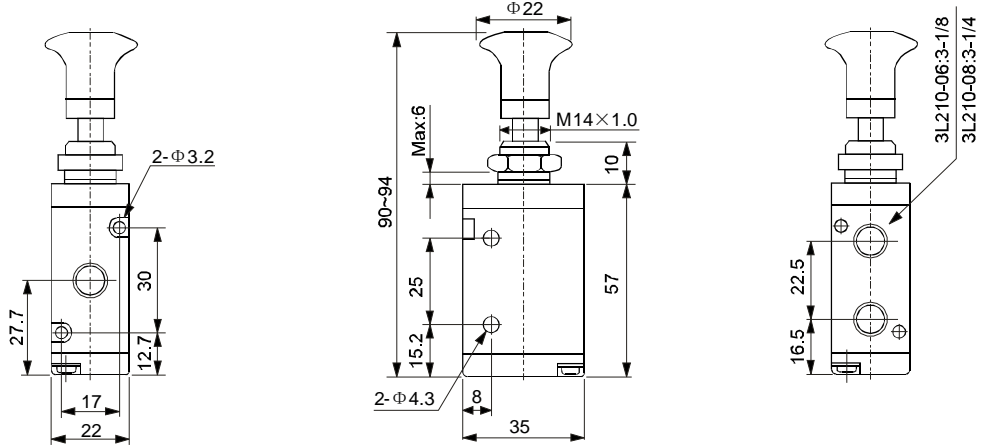
3 Port Push-pull Valve Series 3L

◆ Dimensions

3L110



3L210



3L310

