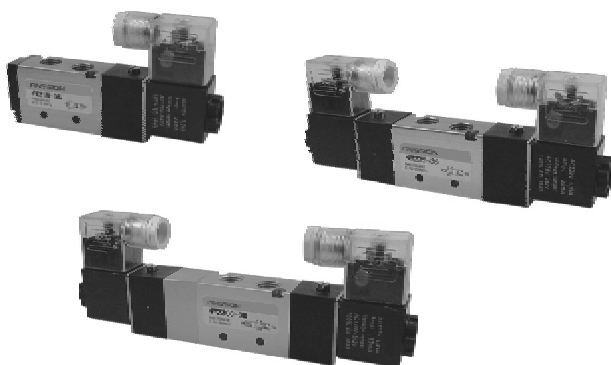


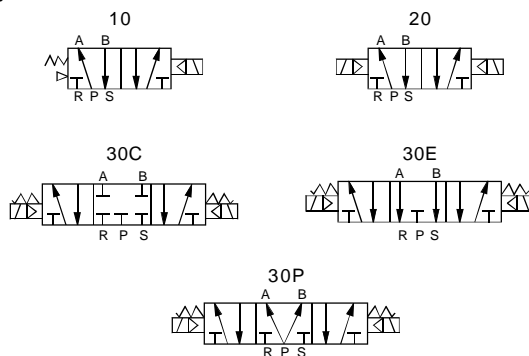
# 5 Port Solenoid Valve

Body Ported

## Series 4V200



Symbol



### ◆ Specifications

Item/Type	4V210-06	4V220-06	2V230C-06	4V230E-06	4V230P-06	4V210-08	4V220-08	4V230C-08	4V230E-08	4V230P-08
Fluid	Air									
Action	Internally piloted									
Type of actuation	5 port 2 position		5 port 3 position			5 port 2 position		5 port 3 position		
Orifice size	14mm <sup>2</sup> (Cv=0.78)		12mm <sup>2</sup> (Cv=0.67)			16mm <sup>2</sup> (Cv=0.89)		12mm <sup>2</sup> (Cv=0.67)		
Port size	In=Out=Exhaust=1/8					In=Out=1/4 Exhaust=1/8				
Lubrication	Not required									
Operating pressure range	0.15~0.8 MPa									
Proof pressure	1.2 MPa									
Ambient and fluid temperature	-5~60°C (No freezing)									
Allowable voltage fluctuation	-15%~±10% of rated voltage									
Power consumption	AC220V: 2.0VA, AC110V: 2.5VA, DC24V: 3.0W, DC12V: 2.5W									
Insulation	F class									
Protection	IP65(DIN40050)									
Electrical entry	DIN terminal									
Max.operating frequency	5 Hz		3 Hz			5 Hz		3 Hz		
Min.activating time	0.05sec									
Weight	220g	320g	400g	400g	400g	220g	320g	400g	400g	400g

### ◆ How to Order



#### Rated voltage

DC12V	DC24V	AC24V	50/60Hz
AC110V	50/60Hz	AC220V	50/60Hz
AC380V	50/60Hz		

#### Port size

06	1/8	08	1/4
----	-----	----	-----

#### Type of actuation

10	Single solenoid	20	Double solenoid
30C	Closed center	30E	Exhaust center
30P	Pressure center		

#### Series

2	200 Series
---	------------

#### Model

4V	5 port 2(3) position solenoid valve
----	-------------------------------------

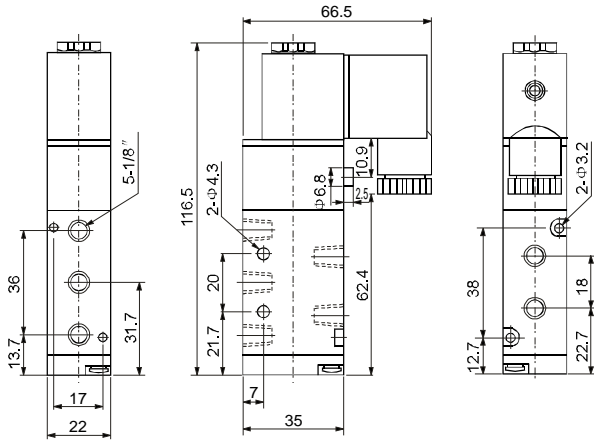
### II

- VF
- SY
- SYJ
- 4V100
- 4V200
- 4V300
- 4V400
- VT307
- VP
- 3V
- 2W
- 2WH
- 2L
- 2V
- 2P
- VFA
- SYA
- 4A100
- 4A200
- 4A300
- 3A100
- 3A200
- 3A300
- 3L
- 4L
- 4H
- SL,SH
- 4HV
- HV,K
- 3FM
- 3F
- 4F
- FV
- MSV
- MOV
- JM
- TAC
- HSV
- RE
- ASC
- KA
- ACV
- KS
- QE
- Manifold

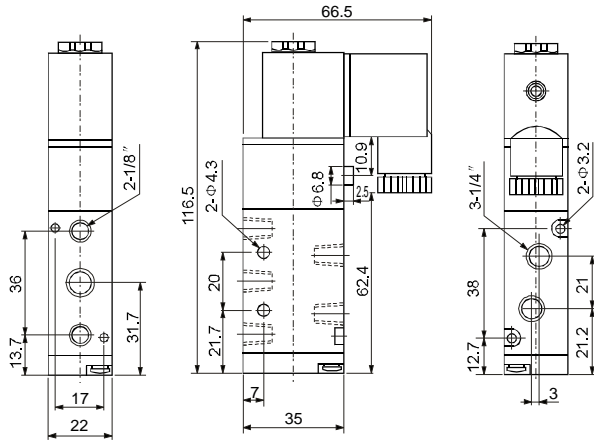
**5 Port Solenoid Valve**  
Body Ported  
**Series 4V200**

◆ **Dimensions**

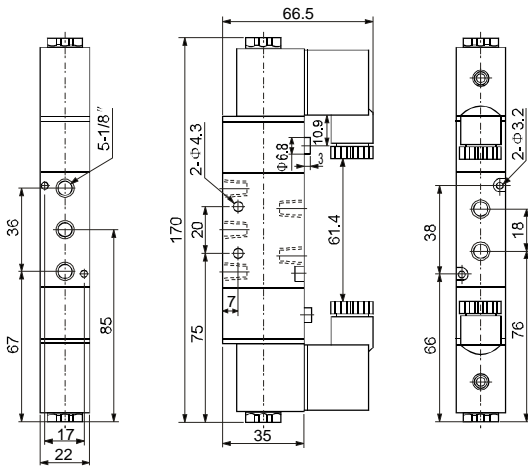
**4V210-06**



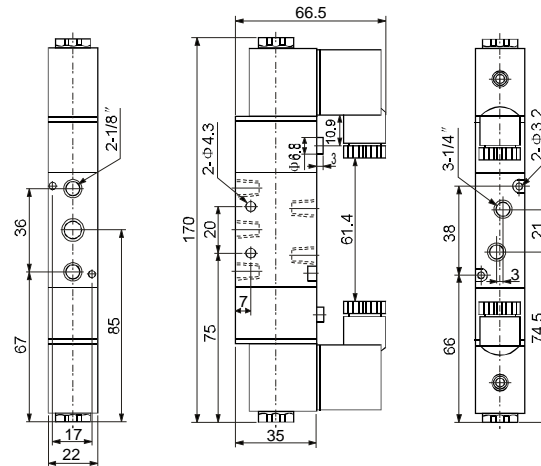
**4V210-08**



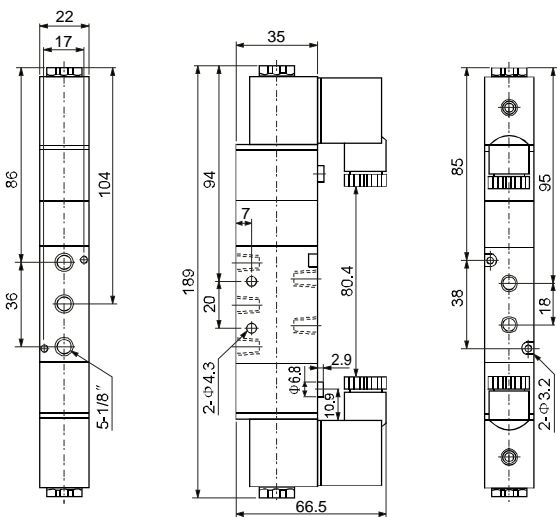
**4V220-06**



**4V220-08**



**4V230-06**



**4V230-08**

