

Air Filter + Regulator + Lubricator

3 Units Air Combination

Series AAC, ABC

ANSSION
PNEUMATIC & HYDRAULIC

◆ How to Order

ABC 3000 - D

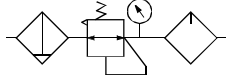


AAC



ABC

Symbol



Drain type

Nil	Semi-auto Drain
M	Manual Drain
A	Auto Drain

* "A" Only for AB Series.

Port size

2000	G1/4	3000	G3/8	4000	G1/2
------	------	------	------	------	------

Air Filter+Regulator+Lubricator

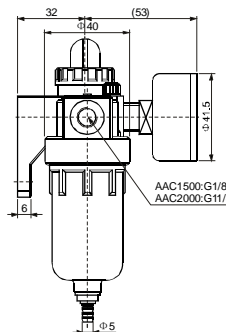
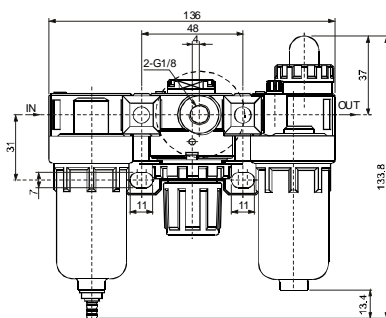
AAC	AA Series	ABC	AB Series
-----	-----------	-----	-----------

◆ Specifications

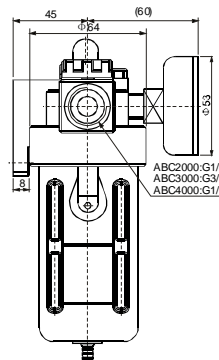
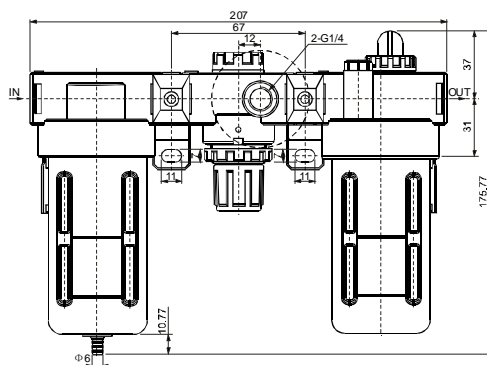
Model	AAC2000	ABC2000	ABC3000	ABC4000	
Fluid	Air				
Port size	G1/4	G1/4	G3/8	G1/2	
Filtration	40 μ m				
Set pressure range	0.05~0.85 MPa				
Max.operating pressure	0.95 MPa				
Proof pressure	1.5 MPa				
Ambient and fluid temperature	5~60°C				
Fluid bowl capacity	15 cc	60 cc			
Lubricator bowl capacity	25 cc	90 cc			
Recommended lubricant	Turbin oil class 1 (ISO VG32)				
Weight	0.7 Kg	0.9 Kg			
Combination equipment	Air filter	AAF2000	ABF2000	ABF3000	ABF4000
	Regulator	AAR2000	ABR2000	ABR3000	ABR4000
	Lubricator	AAL2000	ABL2000	ABL3000	ABL4000

◆ Dimensions

AAC



ABC



III
AD401,402
AC
AW
AF
AR
AL
UFRL
UFR/L
UFR
UF
UR
UL
FRL700A
FRL600A
FR500A
F200A
NR200
R 200
L200 A
AAC,ABC
AAF,ABFC
AAFR,ABFR
AAF,ABF
AAR,ABR
AAL,ABL
SFC
SFR
SL