

# Air Filter / Regulator

## Series AW1000 to 5000

### ◆ How to Order

AW3000 — [ ] 03 BG

#### Accessories (Options)

Symbol	Description	Applicable model
Nil	—	—
B	Bracket	AW1000 to AW5000
C	Auto drain float style (N.C.)	AW3000 to AW5000
D	Auto drain pressure differential	AW1000/2000
	Auto drain float style (N.O.)	AW3000 to AW5000
G	Gauge Without limit indicator	AW1000
	Gauge With limit indicator	AW2000 to AW5000

#### Port size

Symbol	Port size	Applicable model
M5	M5×0.8	AW1000
01	1/8	AW2000
02	1/4	AW2000 / AW3000
03	3/8	AW3000 / AW4000
04	1/2	AW4000
06	3/4	AW4000 / AW5000
10	1	Aw5000

#### Thread

Nil	Metric thread (M5)/Rc (PT)	N	NPT	F	G
-----	----------------------------	---	-----	---	---

#### Model

Series	Equipment
AW1000	Air filter / Regulator (AW)
AW2000	
AW3000	
AW4000	
AW5000	



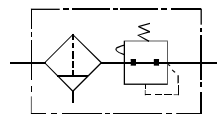
AW2000

AW3000



AW5000

#### Symbol



### ◆ Specifications

Model	AW1000	AW2000	AW3000	AW4000	AW4000-06	AW5000
Port size	M5×0.8	1/8 1/4	1/4 3/8	3/8 1/2	3/4	3/4 1
Fluid	Air					
Proof pressure	1.5 MPa					
Max.operating pressure	1.0 MPa					
Set pressure range	0.05-0.7MPa	0.05-0.85 MPa				
Gauge port size	1/16	1/8	1/8	1/4	1/4	1/4
Ambient and fluid temperature	-5~60°C (No freezing)					
Filtration	5 μ m					
Drain capacity (cm <sup>3</sup> )	2.5	8	23	45	45	65
Bowl material	Polycarbonate					
Construction	Relieving style					
Weight (kg)	0.09	0.36	0.53	1.09	1.15	1.7
Accessory (Std.equipment)	Bowl guard	—	•	•	•	•

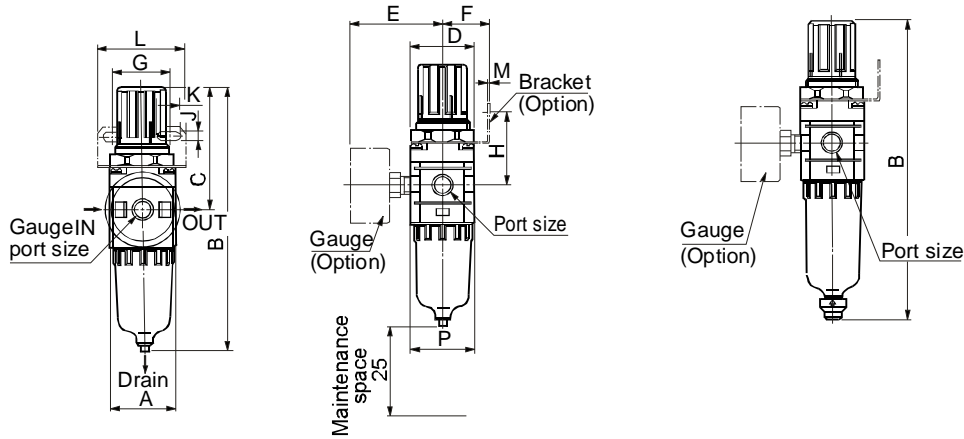
# Air Filter / Regulator

## Series AW1000 to 5000

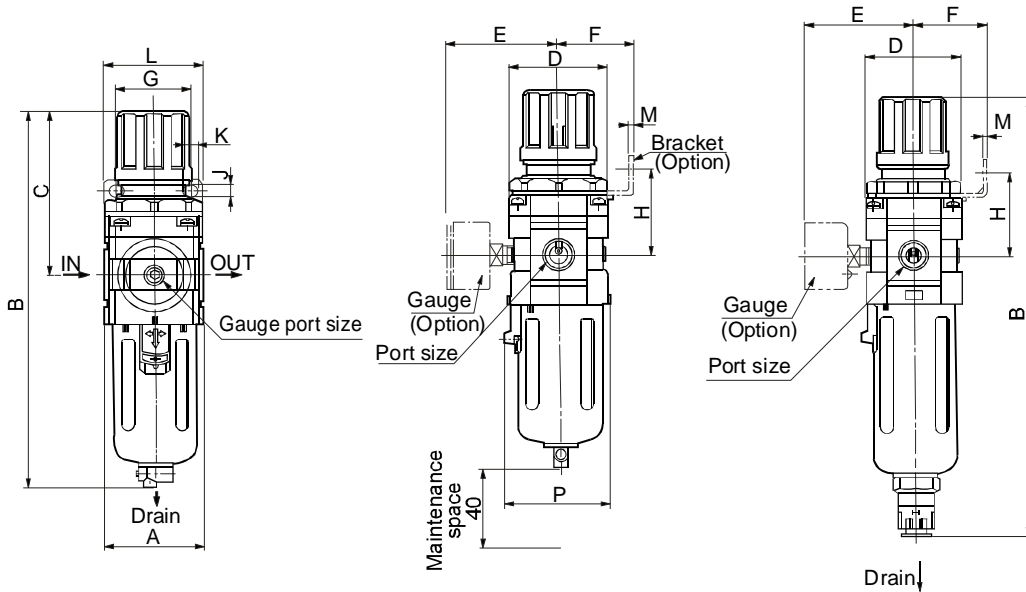


◆ Dimensions

**AW1000, AW2000**



**AW3000, AW4000, AW4000-06, AW5000**



III
AD401,402
AC
AW
AF
AR
AL
UFRL
UFR/L
UFR
UF
UR
UL
FRL700A
FRL600A
FR500A
F200A
NR200
R 200
L200A
AAC,ABC
AAF,ABFC
AAFR,ABFR
AAF,ABF
AAR,ABR
AAL,ABL
SFC
SFR
SL

Model	Port size	A	B	C	D	E	Bracket mounting dimensions							N	P	With auto drain	
							F	G	H	J	K	L	M			B	Press.Diff.
AW1000	M5×0.8	25	109.5	50.5	25	26	25	28	30	4.5	6.5	40	2.0	20.5	28	—	130
AW2000	1/8,1/4	40	164.5	78	40	56.8	30	34	44	5.4	15.4	55	2.3	33.5	40	—	187.5
AW3000	1/4,3/8	53	207.5	92.5	53	60.8	41	40	46	6.5	8.0	53	2.3	42.5	56	248.5	—
AW4000	3/8,1/2	70	259	112	70	70.5	50	54	54	8.5	10.5	70	2.3	52.5	73	300	—
AW4000-06	3/4	75	263	114	70	70.5	50	54	56	8.5	10.5	70	2.3	52.5	73	304	—
AW5000	3/4,1	90	338	116	90	75.5	49.2	54	62	8.5	10.5	70	2.3	52.5	90	378	—