

Mini Cylinder

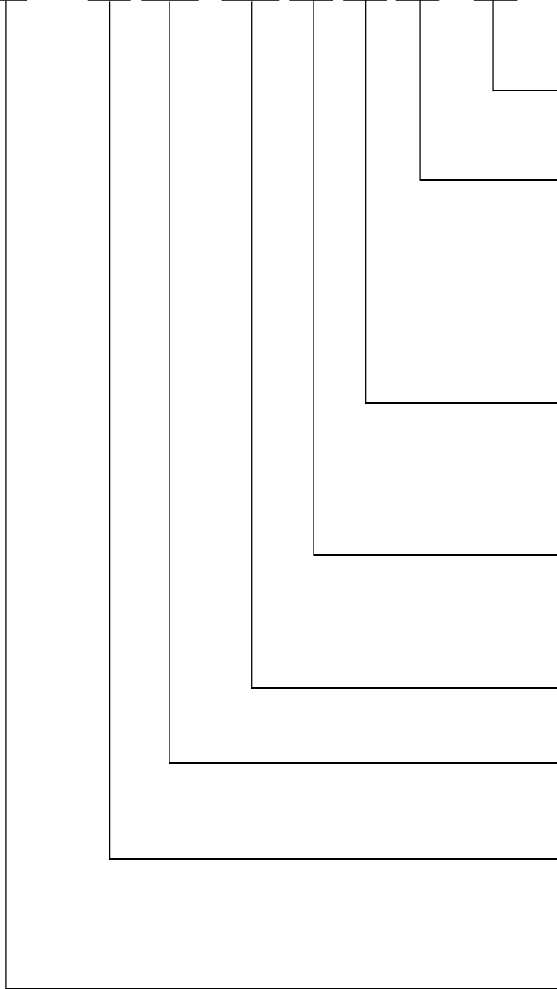
Double Acting, Single Rod; Single Acting, Spring Return / Extend

Series CJ2



◆ How to Order

C D J2 B 16 60 S A R - A



Auto switch mounting style

A	Rail mounting	B	Band mounting
----------	---------------	----------	---------------

Port location on head cover

Symbol	Bore size(mm)	6	10,16
Nil		-	Perpendicular to axis
R		Axial foot style	Axial foot style

*Double clevis style is only available for being perpendicular to axis.

*Single acting, Spring return(S), Clevis style is available only for 90° to the axis.

*Not applicable to single acting, spring extend(T).

Cushion

Nil	Rubber bumper
A	Adjustable air cushion at both ends (only available for double acting ϕ 10,16).

Action

Nil	Double acting, single rod	S	Single acting, spring return
T	Single acting, spring extend		

Cylinder stroke

* Refer to "Standard stroke" .

Bore size (mm)

6	10	16
----------	-----------	-----------

Mounting style

B	Basic style	L	Axial foot style
F	Rod side flange style	D	Double clevis style(except ϕ 6)

Magnet

Nil	Without magnet	D	Built-in magnet
------------	----------------	----------	-----------------

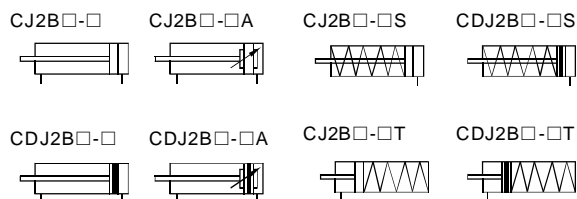
◆ Standard Stroke

Bore size(mm)	Standard stroke(mm)	
	Double acting, single rod	Single acting, spring return / extend
ϕ 6	15,30,45,60	15,30,45,60
ϕ 10	15,30,45,60,75,100,125,150	15,30,45,60
ϕ 16	15,30,45,60,75,100,125,150,175,200	15,30,45,60,75,100,125,150

*Intermediate strokes are available by the 1 mm interval with no stroke adjustment by spacer.



Symbol



I

CJP

CJ1

DNC

DNCB

DNG

C95

SI

CS1

MB

SU

SC

DSNU

C85

CJ2

CM2

MA

MAL

ADVU

CQ2

CQS

SDA

CU

DPZ

CXS

TN

ADVUL

CQM

MGP

MGG

CRA 1

CY1B

CS

Auto switch

D

Auto switch

AC,AD

HR

RB

RBQ

Mini Cylinder

Double Acting, Single Rod; Single Acting, Spring Return / Extend
Series CJ2

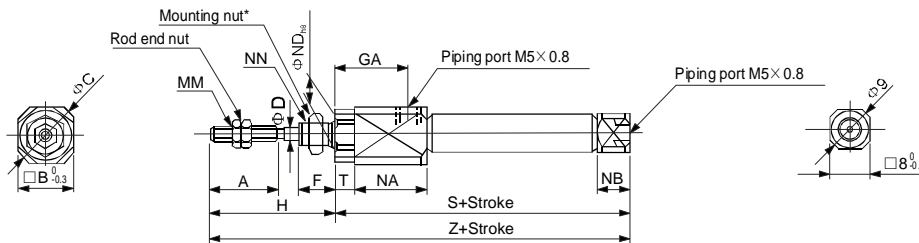
◆ Specifications

Bore size (mm)		6	10	16
Action	C(D)J2B□-□	Double acting, single rod / double rod		
	C(D)J2B□-□-S/T	Single acting, spring return / extend		
Fluid		Filtered compressed air		
Proof pressure		1.05 MPa		
Operating pressure range	C(D)J2B□-□	0.12~0.7 MPa	0.06 ~0.7MPa	
	C(D)J2B□-□-S	0.2~0.7 MPa	0.15 ~0.7MPa	
	C(D)J2B□-□-T	0.25~0.7 MPa	0.15~0.7 MPa	
Ambient and fluid temperature		-10~70°C(No freezing)		
Port size		M5×0.8		
Piston rod thread		M3×0.5	M4×0.7	M5×0.8
Cushion	C(D)J2B□-□	Rubber bumper		
	C(D)J2B□-□-S/T	-	Adjustable air cushion at both ends	
		Rubber bumper		

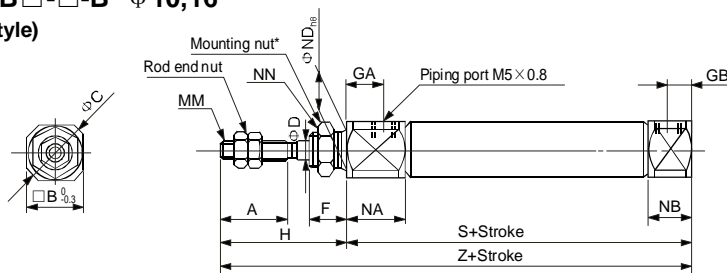
Note): Please contact with ANSSION for the mounting accessories.

◆ Dimensions

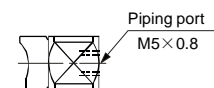
C(D)J2B□-□-B φ 6 (Basic style)



C(D)J2B□-□-B φ 10,16 (Basic style)

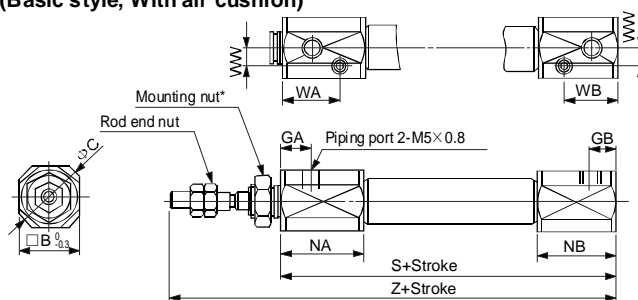


Axial location (R)

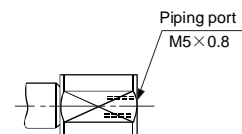


Note): The dimensions of built-in magnet type cylinder are exactly the same as without-magnet type cylinder.

C(D)J2B□-□-A-B φ 10,16 (Basic style, With air cushion)



Axial location (R)



Note): The dimensions of built-in magnet type cylinder are exactly the same as without-magnet type cylinder.

Part no.	Applicable bore(mm)	B	C	d	H
NTJ-006A	6	5.5	6.4	M3×0.5	2.4
NTJ-010A	10	7	8.1	M4×0.7	3.2
NTJ-015A	16	8	9.2	M5×0.8	4

Mini Cylinder

Double Acting, Single Rod; Single Acting, Spring Return / Extend

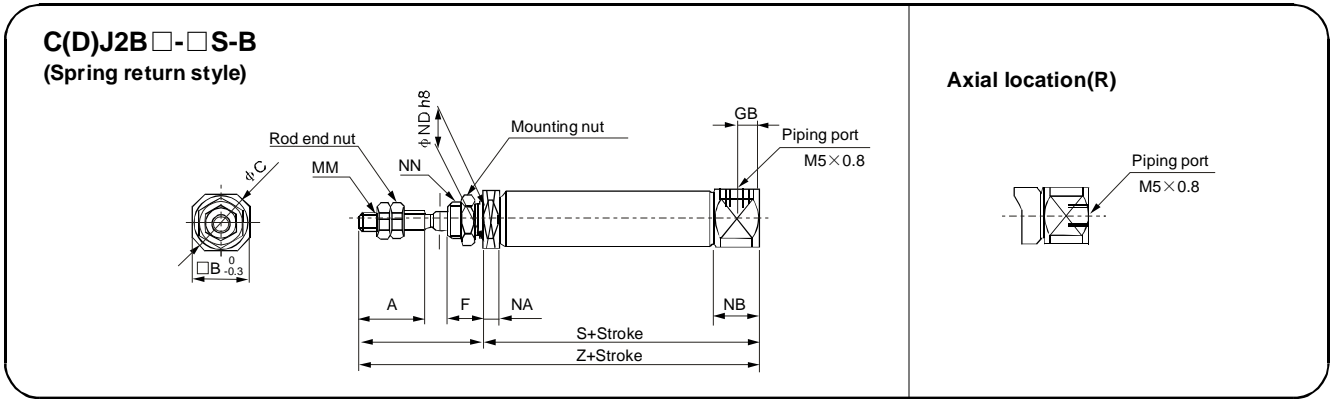
Series CJ2



Bore size (mm)	A	B	C	D	F	GA	GB	H	MM	NA	NB	NDh8	NN	S	T	Z
6	15	12	14	3	8	14.5	-	28	M3×0.5	16	7	6 ⁰ _{-0.018}	M6×1.0	49	3	77
10	15	12	14	4	8	8	5	28	M4×0.7	12.5	9.5	8 ⁰ _{-0.022}	M8×1.0	46	-	74
16	15	18.3	20	5	8	8	5	28	M5×0.8	12.5	9.5	10 ⁰ _{-0.022}	M10×1.0	47	-	75

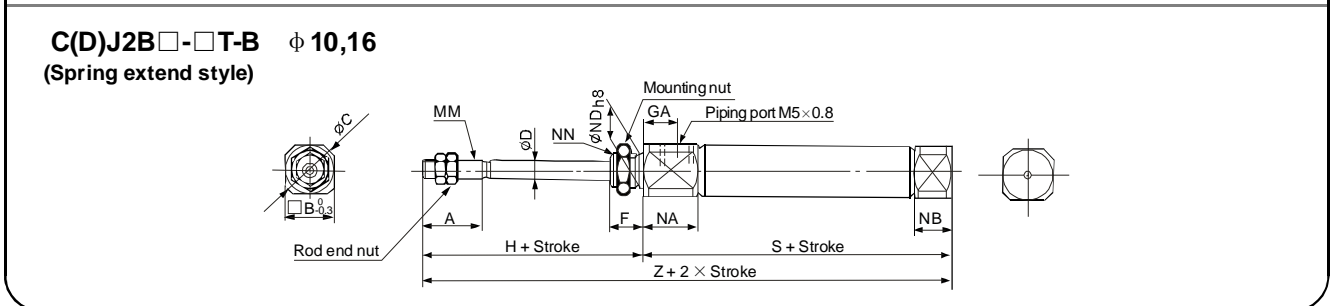
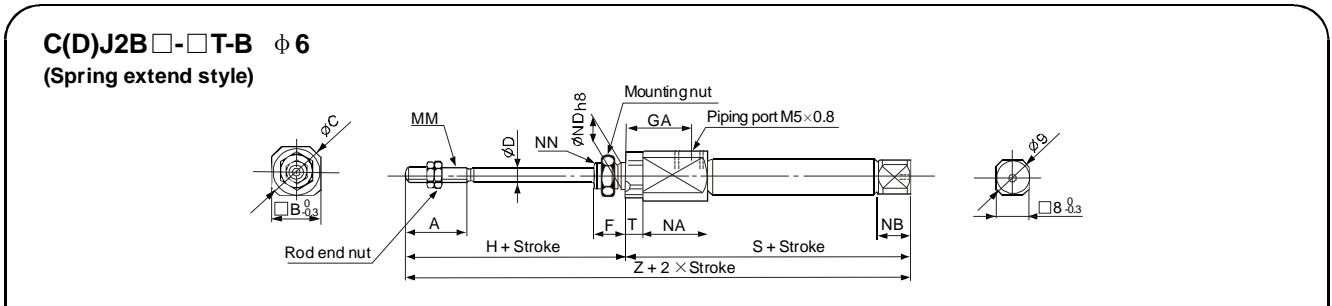
With Air Cushion / Dimensions other than the table below are the same as the table above.

Bore size (mm)	B	C	GA	GB	NA	NB	WA	WB	WW	S	Z
10	15	17	7.5	6.5	21	20	14.5	13.5	4.5	65	93
16	18.3	20	7.5	6.5	21	20	14.5	13.5	5.5	66	94



Bore size (mm)	A	B	C	D	F	GB	H	MM	NA	NB	NDh8	NN	S*												Z*											
													5 to 15 st	16 to 30 st	31 to 45 st	46 to 60 st	61 to 75 st	76 to 100 st	101 to 125 st	126 to 150 st	5 to 15 st	16 to 30 st	31 to 45 st	46 to 60 st	61 to 75 st	76 to 100 st	101 to 125 st	126 to 150 st								
6	15	8	9	3	8	-	28	M3×0.5	3	7	6 ⁰ _{-0.018}	M6×1.0	34.5 (39.5)	43.5 (48.5)	47.5 (52.5)	61.5 (66.5)	-	-	-	-	62.5 (67.5)	71.5 (76.5)	75.5 (80.5)	89.5 (94.5)	-	-	-	-								
10	15	12	14	4	8	5	28	M4×0.7	5.5	9.5	8 ⁰ _{-0.022}	M8×1.0	45.5	53	65	77	-	-	-	-	73.5	81	93	105	-	-	-	-								
16	15	18.3	20	5	8	5	28	M5×0.8	5.5	9.5	10 ⁰ _{-0.022}	M10×1.0	45.5	54	66	78	84	108	126	138	73.5	82	94	106	112	136	154	166								

*() in S and Z dimensions: built-in magnet



Bore size (mm)	A	B	C	D	F	GA	H	MM	NN	NA	NB	NDh8	T	S*												Z*											
														5 to 15 st	16 to 30 st	31 to 45 st	46 to 60 st	61 to 75 st	76 to 100 st	101 to 125 st	126 to 150 st	5 to 15 st	16 to 30 st	31 to 45 st	46 to 60 st	61 to 75 st	76 to 100 st	101 to 125 st	126 to 150 st								
6	15	12	14	3	8	14.5	28	M3×0.5	M6×1.0	16	3	6 ⁰ _{-0.018}	3	46.5 (51.5)	55.5 (60.5)	59.5 (64.5)	73.5 (78.5)	-	-	-	-	74.5 (79.5)	83.5 (88.5)	87.5 (92.5)	101.5 (106.5)	-	-	-	-								
10	15	12	14	4	8	8	28	M4×0.7	M8×1.0	12.5	5.5	8 ⁰ _{-0.022}	-	48.5	56	68	80	-	-	-	-	76.5	84	96	108	-	-	-	-								
16	15	18.3	20	5	8	8	28	M5×0.8	M10×1.0	12.5	5.5	10 ⁰ _{-0.022}	-	48.5	57	69	81	87	111	129	141	76.5	85	97	109	115	139	157	169								

*() in S and Z dimensions: built-in magnet

- I
- CJP
- CJ1
- DNC
- DNCB
- DNG
- C95
- SI
- CS1
- MB
- SU
- SC
- DSNU
- C85
- CJ2**
- CM2
- MA
- MAL
- ADVU
- CQ2
- CQS
- SDA
- CU
- DPZ
- CXS
- TN
- ADVUL
- CQM
- MGP
- MGG
- CRA1
- CY1B
- CS
Auto switch
- D
Auto switch
- AC,AD
- HR
- RB
- RBQ