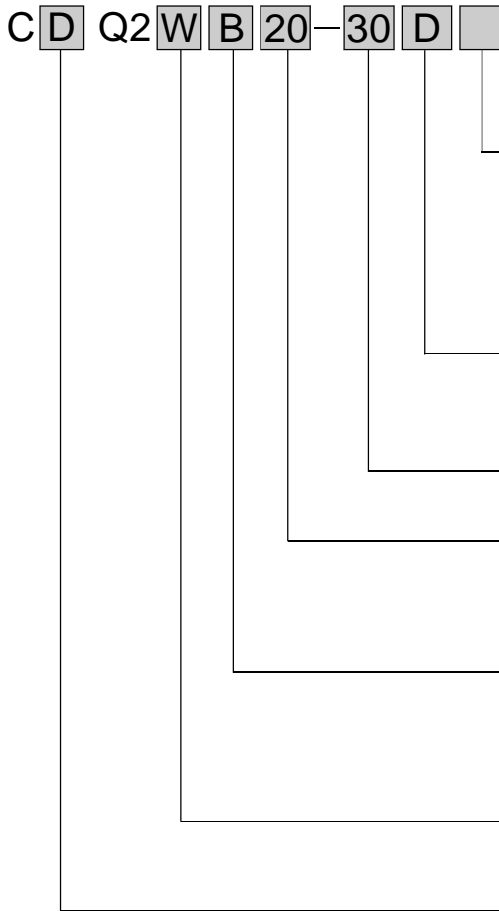


Compact Cylinder

Double Acting, Single Rod/Double Rod; Single Acting, Spring Return/Extend

Series CQ2, CDQ2

◆ How to Order



Body option

Nil	Standard (rod end female thread, without cushion)
F	With boss in head side
C	With rubber bumper
M	Rod end male thread

* Combination of body options ("CM" , "FC" , "FM" , "FCM") is available.

Action

D	Double acting		
S	Single acting, spring return	T	Single acting, spring extend

Cylinder stroke

* Refer to "Standard stroke" .

Bore size (mm)*

12	16	20	25	32
40	50	63	80	100

* Single acting only is available for ϕ 12- ϕ 50mm.

Mounting style

B	Through-hole (standard)	F	Rod side flange style
A	Both ends tapped style	G	Head side flange style
L	Foot style	D	Double clevis style

Piston rod

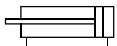
Nil	Single rod	W	Double rod
------------	------------	----------	------------

Magnet

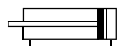
Nil	Without magnet	D	Built-in magnet
------------	----------------	----------	-----------------

Symbol

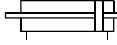
CQ2B□-□D



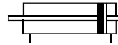
CDQ2B□-□D



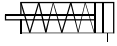
CQ2WB□-□D



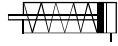
CDQ2WB□-□D



CQ2B□-□S



CDQ2B□-□S



CQ2B□-□T



CDQ2B□-□T



◆ Standard Stroke

Bore size (mm)	Standard stroke (mm)	
	Double acting, single / double rod	Single acting, spring return / extend
12, 16	5, 10, 15, 20, 25, 30	
20, 25	5, 10, 15, 20, 25, 30, 35, 40, 45, 50	5, 10
32, 40	5, 10, 15, 20, 25, 30, 35, 40, 45, 50, 75, 100	
50 to 100	10, 15, 20, 25, 30, 35, 40, 45, 50, 75, 100	10, 20 (only for ϕ 50)

* When stroke exceeds the standard range, Please contact with ANSSION.

Compact Cylinder

Double Acting, Single Rod/Double Rod; Single Acting, Spring Return/Extend

Series CQ2, CDQ2



◆ Specifications

Bore size (mm)		12	16	20	25	32	40	50	63	80	100	
Action	C(D)Q2(W)B□-□D	Double acting, single rod / double rod										
	C(D)Q2B□-□S/T	Single acting, spring return / extend										
Fluid		Filtered compressed air										
Proof pressure		1.5 MPa										
Operating pressure range	C(D)Q2(W)B□-□D	0.07~1.0 MPa				0.05~1.0 MPa						
	C(D)Q2B□-□S/T	0.25~1.0 MPa	0.18~1.0 MPa			0.17~1.0MPa	0.15~1.0MPa	0.13~1.0MPa	-			
Ambient and fluid temperature		-10~70°C (No freezing)										
Port size		M5×0.8				Rc1/8		Rc1/4		Rc3/8		
Piston rod thread	Female thread	M3×0.5	M4×0.7	M5×0.8	M6×1.0	M8×1.25		M10×1.25		M16×2.0	M20×2.5	
	Male thread	M5×0.8	M6×1.0	M8×1.25	M10×1.25	M14×1.5		M18×1.5		M22×1.5	M26×1.5	
Cushion		Without cushion / Rubber bumper										

Note): Please contact with ANSSION for the mounting accessories.

◆ Dimensions

CQ2B□-□D φ 12 to 25
Basic style (Through-hole), without magnet

Both ends tapped style

Bore size (mm)	O1	R
12	M4×0.7	7
16	M4×0.7	7
20	M6×1.0	10
25	M6×1.0	10

With boss in head side

Bore size(mm)	G	Th9
12	1.5	15 ⁰ _{-0.043}
16	1.5	20 ⁰ _{-0.052}
20	2	13 ⁰ _{-0.043}
25	2	15 ⁰ _{-0.043}

Rod end male thread

Bore size(mm)	C1	X	H1	L1
12	9	10.5	M5×0.8	14
16	10	12	M6×1.0	15.5
20	12	14	M8×1.25	18.5
25	15	17.5	M10×1.25	22.5

Bore size (mm)	Stroke range (mm)	A	B	C	D	E	F	H	I	K	L	M	N	O	Q	Z
12	5 to 30	20.5	17	6	6	25	5	M3×0.5	32	5	3.5	15.5	3.5	6.5 depth 3.5	7.5	-
16	5 to 30	22	18.5	8	8	29	5.5	M4×0.7	38	6	3.5	20	3.5	6.5 depth 3.5	8	10
20	5 to 50	24	19.5	7	10	36	5.5	M5×0.8	47	8	4.5	25.5	5.5	9 depth 7	9	10
25	5 to 50	27.5	22.5	12	12	40	5.5	M6×1.0	52	10	5	28	5.5	9 depth 7	11	10

Note): External dimensions with rubber bumper are same as standard type as shown above.

I
CJP
CJ1
DNC
DNCB
DNG
C95
SI
CS1
MB
SU
SC
DSNU
C85
CJ2
CM2
MA
MAL
ADVU
CQ2
CQS
SDA
CU
DPZ
CXS
TN
ADVUL
CQM
MGP
MGG
CRA 1
CY1B
CS Auto switch
D Auto switch
AC,AD
HR
RB
RBQ

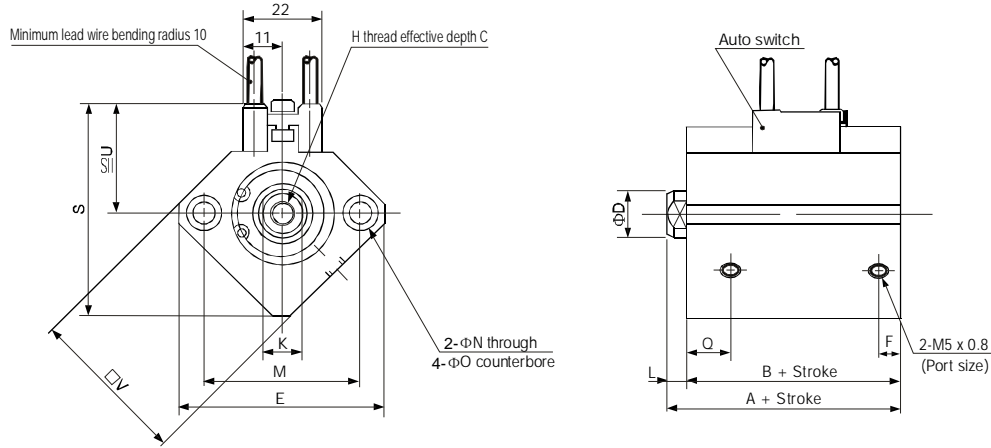
Compact Cylinder

Double Acting, Single Rod/Double Rod; Single Acting, Spring Return/Extend

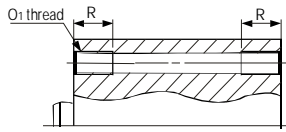
Series CQ2, CDQ2

CDQ2B□-□D φ 12 to 25

Basic style (Through-hole), built-in magnet

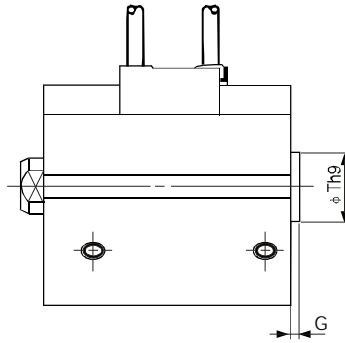


Both ends tapped style



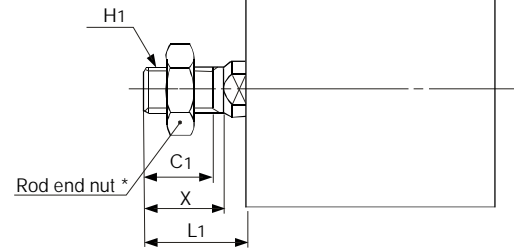
Bore size (mm)	O1	R
12	M4×0.7	7
16	M4×0.7	7
20	M6×1.0	10
25	M6×1.0	10

With boss in head side



Bore size(mm)	G	Th9
12	1.5	15 ⁰ _{-0.043}
16	1.5	20 ⁰ _{-0.052}
20	2	13 ⁰ _{-0.043}
25	2	15 ⁰ _{-0.043}

Rod end male thread



Bore size(mm)	C1	X	H1	L1
12	9	10.5	M5×0.8	14
16	10	12	M6×1.0	15.5
20	12	14	M8×1.25	18.5
25	15	17.5	M10×1.25	22.5

Bore size (mm)	Stroke range (mm)	A	B	C	D	E	F	H	K	L	M	N	O	Q	S	U	V
12	5 to 30	31.5	28	6	6	32	6.5	M3×0.5	5	3.5	22	3.5	6.5 depth 3.5	11	35.5	19.5	25
16	5 to 30	34	30.5	8	8	38	5.5	M4×0.7	6	3.5	28	3.5	6.5 depth 3.5	10	41.5	22.5	29
20	5 to 50	36	31.5	7	10	47	5.5	M5×0.8	8	4.5	36	5.5	9 depth 7	10.5	48	24.5	36
25	5 to 50	37.5	32.5	12	12	52	5.5	M6×1.0	10	5	40	5.5	9 depth 7	11	53.5	27.5	40

Note): External dimensions with rubber bumper are same as standard type as shown above.

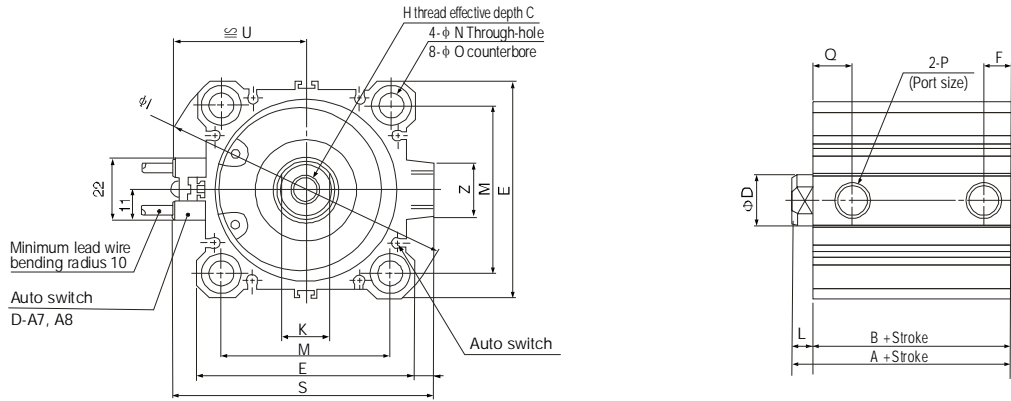
Compact Cylinder

Double Acting, Single Rod/Double Rod; Single Acting, Spring Return/Extend

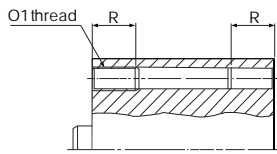
Series CQ2, CDQ2

C(D)Q2B□-□D φ 63 to 100

Basic style (Through-hole)

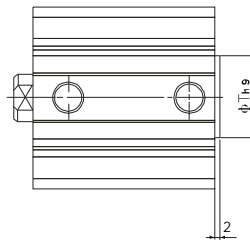


Both Ends Tapped Style



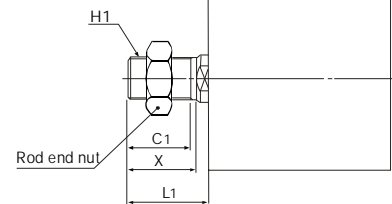
Bore size (mm)	O1	R
63	M10×1.5	18
80	M12×1.75	22
100	M12×1.75	22

With boss in head side



Bore size (mm)	Th9
63	35 ⁰ _{-0.062}
80	43 ⁰ _{-0.062}
100	59 ⁰ _{-0.074}

Rod end male thread



Bore size (mm)	C1	X	H1	L1
63	26	28.5	M18×1.5	33.5
80	32.5	35.5	M22×1.5	43.5
100	32.5	35.5	M26×1.5	43.5

Bore size (mm)	Stroke range (mm)	Without magnet		Built-in magnet		C	D	E	F	H	I	J	K	M	N	O	P	Q	S	U	Z
		A	B	A	B																
63	10 to 50	44	36	54	46	15	20	77	10.5	M10×1.5	103	7	17	60	9	14 depth 10.5	Rc 1/4	15	93	47.5	19
	75, 100	54	46																		
80	10 to 50	53.5	43.5	63.5	53.5	21	25	98	12.5	M16×2.0	132	6	22	77	11	17.5 depth 13.5	Rc 3/8	16	112.5	57.5	26
	75, 100	63.5	53.5																		
100	10 to 50	65	53	75	63	27	30	117	13	M20×2.5	156	6.5	27	94	11	17.5 depth 13.5	Rc 3/8	23	132.5	67.5	26
	75, 100	75	63																		

Note): External dimensions with rubber bumper are same as standard type as shown above.

Compact Cylinder

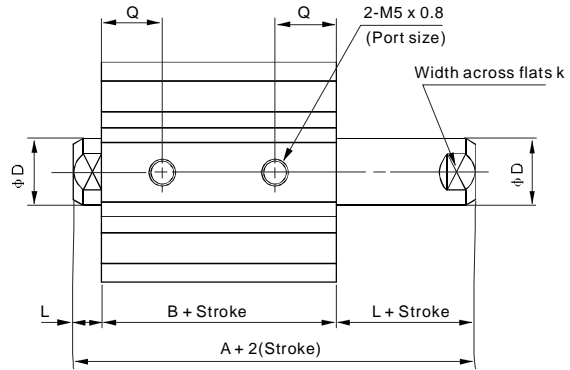
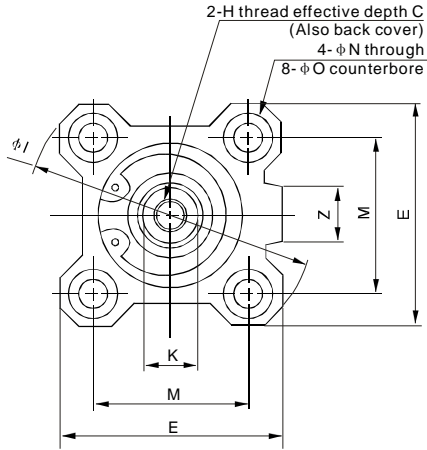
Double Acting, Single Rod/Double Rod; Single Acting, Spring Return/Extend

Series CQ2, CDQ2

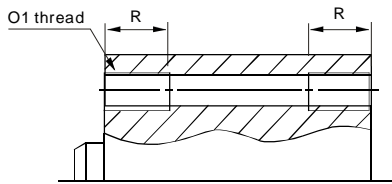


CQ2WB□-□D φ 12 to 25

Double rod style (Through-hole), without magnet

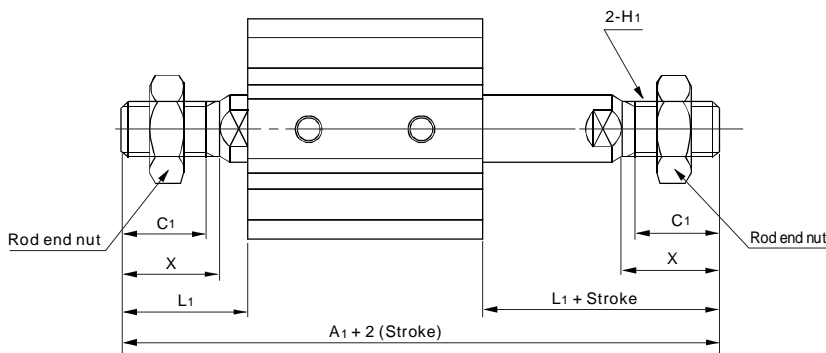


Both ends tapped style



Bore size (mm)	O1	R
12	M4×0.7	7
16	M4×0.7	7
20	M6×1.0	10
25	M6×1.0	10

Rod end male thread



Bore size (mm)	A1	C1	H1	L1	X
12	53.2	9	M5×0.8	14	10.5
16	57	10	M6×1.0	15.5	12
20	63	12	M8×1.25	18.5	14
25	74	15	M10×1.25	22.5	17.5

Bore size (mm)	Stroke range (mm)	A	B	C	D	E	H	I	K	L	M	N	O	Q	Z
12	5 to 30	32.2	25.2	6	6	25	M3×0.5	32	5	3.5	15.5	3.5	6.5 depth 3.5	10	-
16	5 to 30	33	26	8	8	29	M4×0.7	38	6	3.5	20	3.5	6.5 depth 3.5	10	10
20	5 to 50	35	26	7	10	36	M5×0.8	47	8	4.5	25.5	5.5	9 depth 7	9.5	10
25	5 to 50	39	29	12	12	40	M6×1.0	52	10	5	28	5.5	9 depth 7	11	10

Note): External dimensions with rubber bumper are same as standard type as shown above.

I

CJP

CJ1

DNC

DNCB

DNG

C95

SI

CS1

MB

SU

SC

DSNU

C85

CJ2

CM2

MA

MAL

ADVU

CQ2

CQS

SDA

CU

DPZ

CXS

TN

ADVUL

CQM

MGP

MGG

CRA1

CY1B

CS

Auto switch

D

Auto switch

AC,AD

HR

RB

RBQ

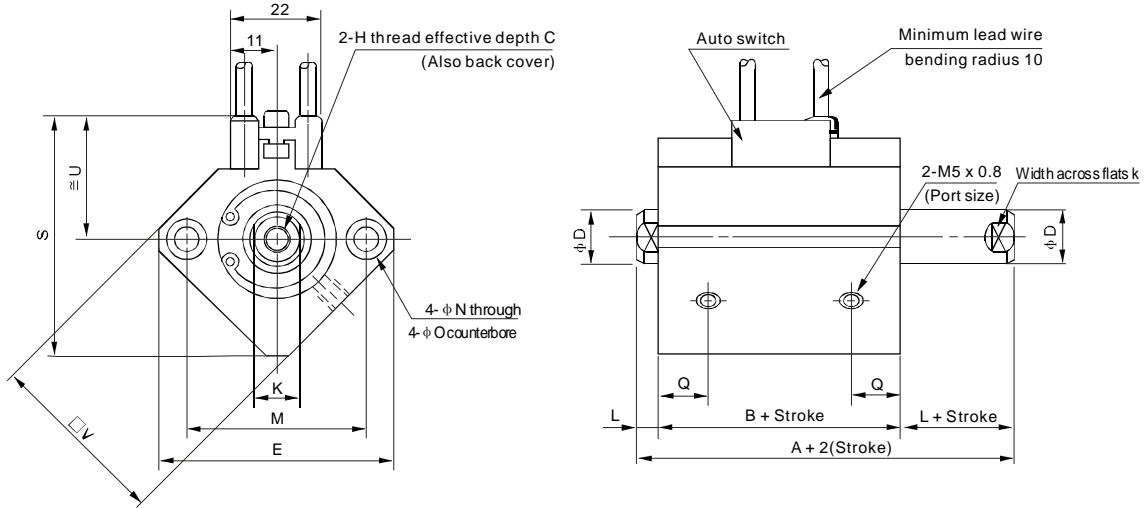
Compact Cylinder

Double Acting, Single Rod/Double Rod; Single Acting, Spring Return/Extend

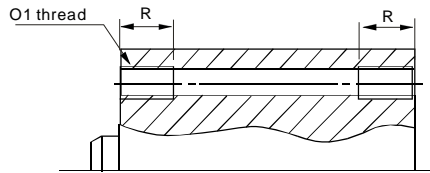
Series CQ2, CDQ2

CDQ2WB □-□D φ 12 to 25

Double rod style (Through-hole), built-in magnet

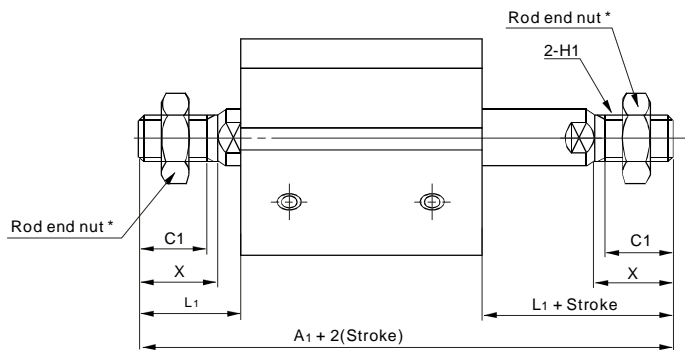


Both ends tapped style



Bore size (mm)	O1	R
12	M4×0.7	7
16	M4×0.7	7
20	M6×1.0	10
25	M6×1.0	10

Rod ends male thread



Bore size (mm)	A1	C1	H1	L1	X
12	60.4	9	M5×0.8	14	10.5
16	67	10	M6×1.0	15.5	12
20	75	12	M8×1.25	18.5	14
25	84	15	M10×1.25	22.5	17.5

Bore size (mm)	Stroke range (mm)	A	B	C	D	E	H	K	L	M	N	O	Q	S	U	V
12	5 to 30	39.4	32.4	6	6	32	M3×0.5	5	3.5	22	3.5	6.5 depth 3.5	10.5	35.5	19.5	25
16	5 to 30	43	36	8	8	38	M4×0.7	6	3.5	28	3.5	6.5 depth 3.5	10	41.5	22.5	29
20	5 to 50	47	38	7	10	47	M5×0.8	8	4.5	36	5.5	9 depth 7	10.5	48	24.5	36
25	5 to 50	49	39	12	12	52	M6×1.0	10	5	40	5.5	9 depth 7	11	53.5	27.5	40

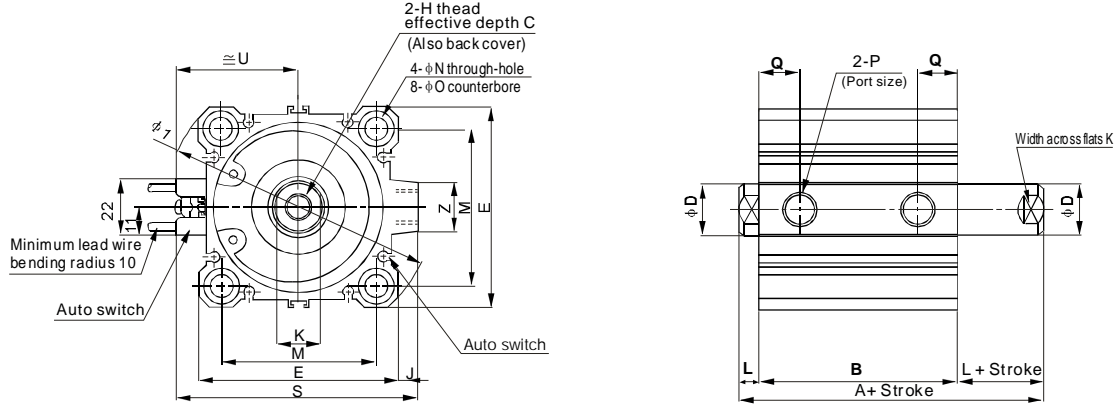
Note): External dimensions with rubber bumper are same as standard type as shown above.

Compact Cylinder

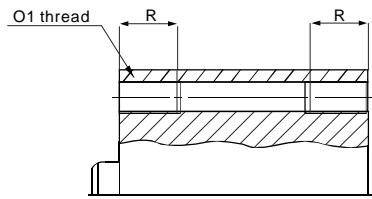
Double Acting, Single Rod/Double Rod; Single Acting, Spring Return/Extend

Series CQ2, CDQ2

C(D)Q2WB□-□D φ 63 to 100
Double rod style (Through-hole)

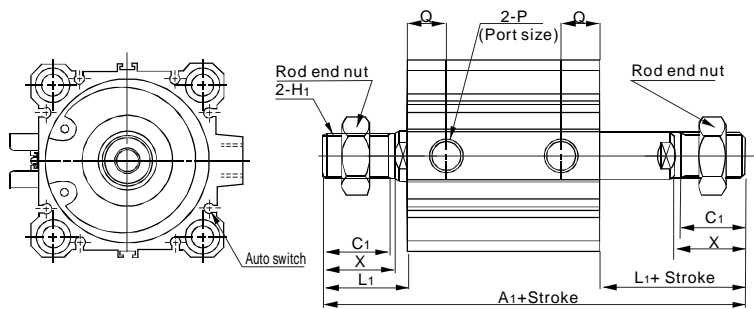


Both ends tapped style



Bore size (mm)	O1	R
63	M10×1.5	18
80	M12×1.75	22
100	M12×1.75	22

Rod end male thread



Bore size (mm)	Without magnet			Built-in magnet		
	A1			A1		
	50" or less	55 to 75	80 to 100	50" or less	55 to 75	80 to 100
63	109+ Stroke	194	219	119+ Stroke	194	219
80	138+ Stroke	223	248	223+ Stroke	223	248
100	147.5+ Stroke	232.5	257.5	232.5+ Stroke	232.5	257.5

Bore size (mm)	C1	H1	L1	X
63	26	M18×1.5	33.5	28.5
80	32.5	M22×1.5	43.5	35.5
100	32.5	M26×1.5	43.5	35.5

Bore size (mm)	Stroke range (mm)	Without magnet						Built-in magnet					
		A			B			A			B		
		50" or less	55 to 75	80 to 100	50" or less	55 to 75	80 to 100	50" or less	55 to 75	80 to 100	50" or less	55 to 75	80 to 100
63	10 to 50,75,100	58+ Stroke	143	168	42+ Stroke	127	152	68+ Stroke	143	168	52+ Stroke	127	152
80	10 to 50,75,100	71+ Stroke	156	181	51+ Stroke	236	161	81+ Stroke	156	181	61+ Stroke	136	161
100	10 to 50,75,100	84.5+ Stroke	169.5	194.5	60.5+ Stroke	145.5	170.5	94.5+ Stroke	169.5	194.5	70.5+ Stroke	145.5	170.5

Bore size (mm)	C	D	E	H	I	J	K	L	M	N	O	Q	P	S	U	Z
63	15	20	77	M10×1.5	103	7	17	8	60	9	14 depth 10.5	15.5	Rc 1/4	93	47.5	19
80	21	25	98	M16×2.0	132	6	22	10	77	11	17.5 depth 13.5	18	Rc 3/8	112.5	57.5	26
100	27	30	117	M20×2.5	156	6.5	27	12	94	11	17.5 depth 13.5	22	Rc 3/8	132.5	67.5	26

Note): External dimensions with rubber bumper are same as standard type as shown above.

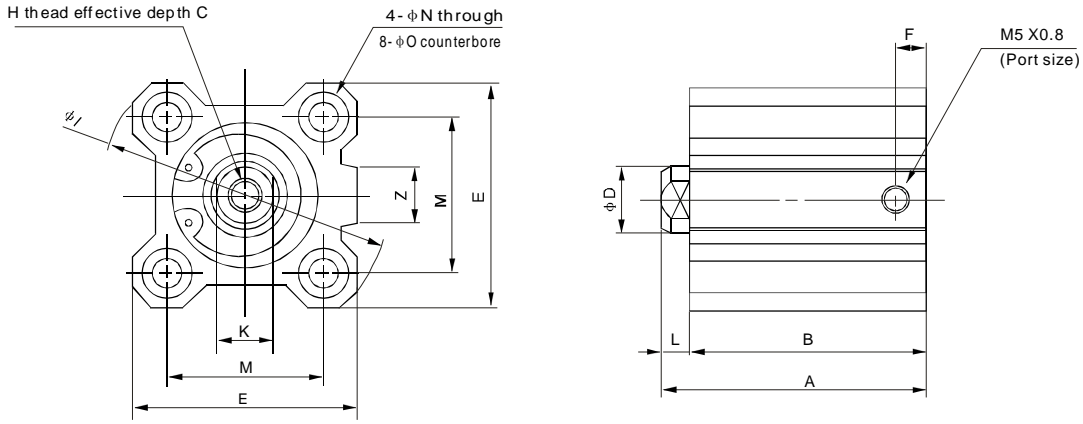
Compact Cylinder

Double Acting, Single Rod/Double Rod; Single Acting, Spring Return/Extend

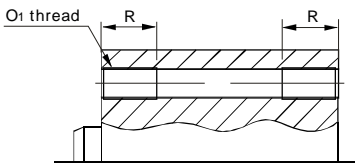
Series CQ2, CDQ2



CQ2B□-□S φ 12 to 25
Spring return style (Through-hole), without magnet

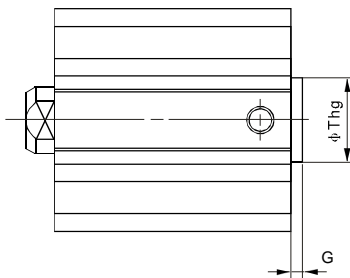


Both Ends Tapped Style



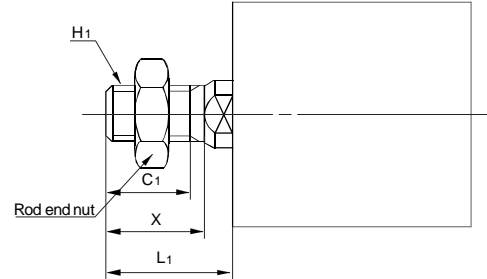
Bore size (mm)	O1	R
12	M4×0.7	7
16	M4×0.7	7
20	M6×1.0	10
25	M6×1.0	10

With boss in head side



Bore size (mm)	G	Th9
12	1.5	15 ⁰ _{-0.043}
16	1.5	20 ⁰ _{-0.052}
20	2	13 ⁰ _{-0.043}
25	2	15 ⁰ _{-0.043}

Rod end male thread



Bore size (mm)	C1	X	H1	L1
12	9	10.5	M5×0.8	14
16	10	12	M6×1.0	15.5
20	12	14	M8×1.25	18.5
25	15	17.5	M10×1.25	22.5

Bore size (mm)	A		B		C	D	E	F	H	I	K	L	M	N	O	Z
	5 st	10 st	5 st	10 st												
12	25.5	30.5	22	27	6	6	25	5	M3×0.5	32	5	3.5	15.5	3.5	6.5 depth 3.5	-
16	27	32	23.5	28.5	8	8	29	5.5	M4×0.7	38	6	3.5	20	3.5	6.5 depth 3.5	10
20	29	34	24.5	29.5	7	10	36	5.5	M5×0.8	47	8	4.5	25.5	5.5	9 depth 7	10
25	32.5	37.5	27.5	32.5	12	12	40	5.5	M6×1.0	52	10	5	28	5.5	9 depth 7	10

Note): External dimensions with rubber bumper are same as standard type as shown above.

I

CJP

CJ1

DNC

DNCB

DNG

C95

SI

CS1

MB

SU

SC

DSNU

C85

CJ2

CM2

MA

MAL

ADVU

CQ2

CQS

SDA

CU

DPZ

CXS

TN

ADVUL

CQM

MGP

MGG

CRA1

CY1B

CS

Auto switch

D

Auto switch

AC,AD

HR

RB

RBQ

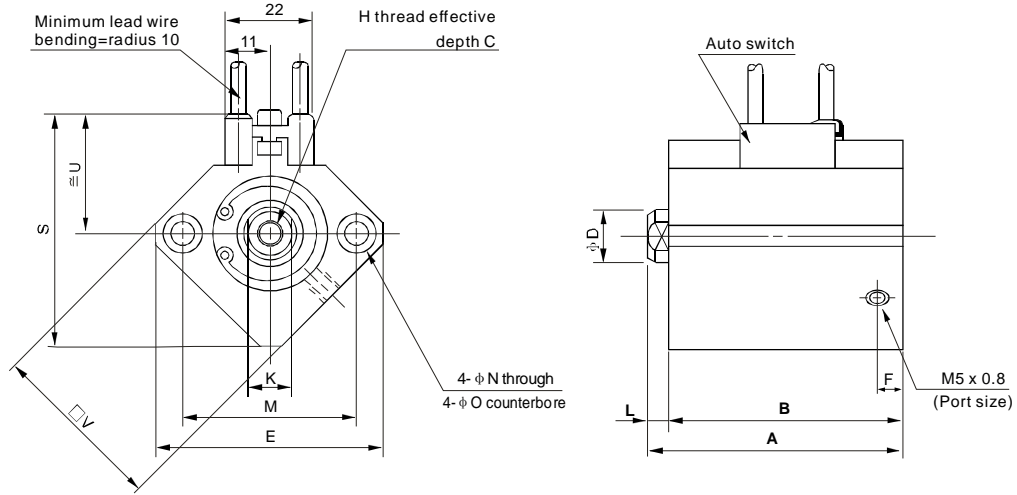
Compact Cylinder

Double Acting, Single Rod/Double Rod; Single Acting, Spring Return/Extend

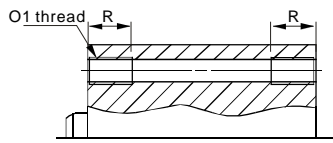
Series CQ2, CDQ2

CDQ2B□-□S φ 12 to 25

Spring return sytle(Through-hole),built-in magnet

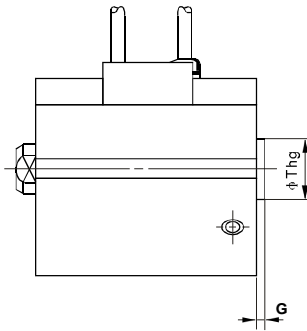


Both Ends Tapped Style



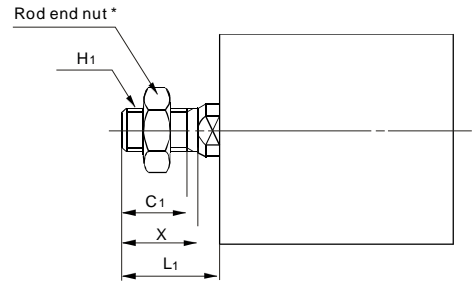
Bore size (mm)	Q1	R
12	M4×0.7	7
16	M4×0.7	7
20	M6×1.0	10
25	M6×1.0	10

With boss in head side



Bore size (mm)	G	Th9
12	1.5	15 ⁰ _{-0.043}
16	1.5	20 ⁰ _{-0.052}
20	2	13 ⁰ _{-0.043}
25	2	15 ⁰ _{-0.043}

Rod end male thread



Bore size (mm)	C1	X	H1	L1
12	9	10.5	M5×0.8	14
16	10	12	M6×1.0	15.5
20	12	14	M8×1.25	18.5
25	15	17.5	M10×1.25	22.5

Bore size (mm)	A		B		C	D	E	F	H	K	L	M	N	O	S	U	V
	5 st	10 st	5 st	10 st													
12	36.5	41.5	33	38	6	6	32	6.5	M3×0.5	5	3.5	15.5	3.5	6.5 depth 3.5	35.5	19.5	25
16	39	44	35.5	40.5	8	8	38	5.5	M4×0.7	6	3.5	20	3.5	6.5 depth 3.5	41.5	22.5	29
20	41	46	36.5	41.5	7	10	47	5.5	M5×0.8	8	4.5	25.5	5.5	9 depth 7	48	24.5	36
25	42.5	47.5	37.5	42.5	12	12	52	5.5	M6×1.0	10	5	28	5.5	9 depth 7	53.5	27.5	40

Note): External dimensions with rubber bumper are same as standard type as shown above.

Compact Cylinder

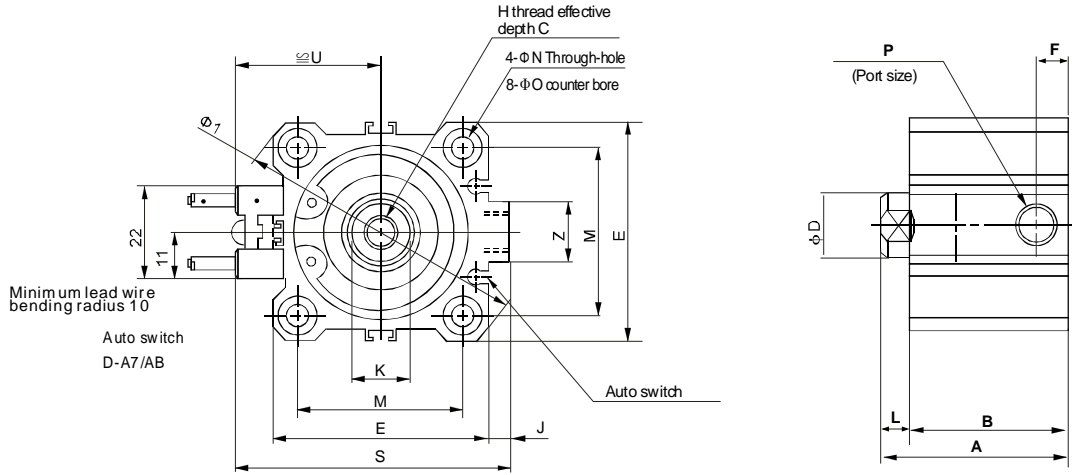
Double Acting, Single Rod/Double Rod; Single Acting, Spring Return/Extend

Series CQ2, CDQ2



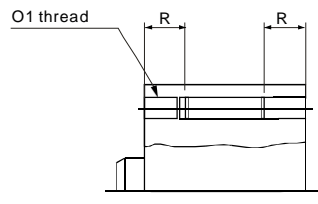
C(D)Q2B□-□S φ 32 to 50

Spring return style (Through-hole)



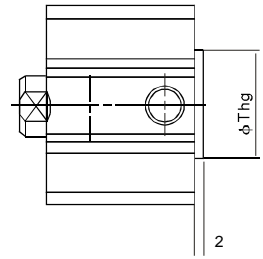
C(D)Q2A□-□S

Both Ends Tapped Style



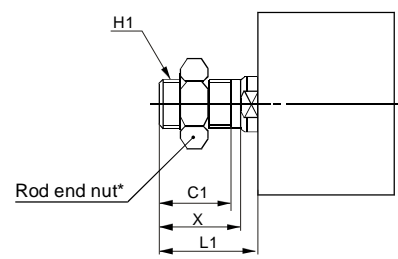
Bore size (mm)	O1	R
32	M6×1.0	10
40	M6×1.0	10
50	M8×1.25	14

With boss in head side



Bore size (mm)	Th9
32	21 ⁰ _{-0.052}
40	28 ⁰ _{-0.052}
50	35 ⁰ _{-0.062}

Rod end male thread



Bore size (mm)	C1	X	H1	L1
32	20.5	10.5	M14×1.5	28.5
40	20.5	12	M14×1.5	28.5
50	26	14	M18×1.5	33.5

Bore size (mm)	Without magnet												Built-in magnet							
	A			B			F			P			A			B			F	P
	5 st	10 st	20 st	5 st	10 st	20 st	5 st	10 st	20 st	5 st	10 st	20 st	5 st	10 st	20 st	5 st	10 st	20 st		
32	35	40	-	28	33	-	5.5	7.5	-	M5x0.8 Rc 1/8	-	45	50	-	38	43	-	7.5	Rc1/8	
40	41.5	46.5	-	34.5	39.5	-	8	8	-	Rc 1/8	-	51.5	56.5	-	44.5	49.5	-	8	Rc1/8	
50	-	48.5	58.5	-	40.5	50.5	-	10.5	10.5	-	Rc 1/4	-	58.5	68.5	-	50.5	60.5	10.5	Rc1/4	

Bore size (mm)	C	D	E	H	I	J	K	L	M	N	O	S	U	Z
32	13	16	45	M8×1.25	60	4.5	14	7	34	5.5	9 depth 7	58.5	31.5	14
40	13	16	52	M8×1.25	69	5	14	7	40	5.5	9 depth 7	66	35	14
50	15	20	64	M10×1.5	86	7	17	8	50	6.6	11 depth 8	80	41	19

Note): External dimensions with rubber bumper are same as standard type as shown above.

I

- CJP
- CJ1
- DNC
- DNCB
- DNG
- C95
- SI
- CS1
- MB
- SU
- SC
- DSNU
- C85
- CJ2
- CM2
- MA
- MAL
- ADVU
- CQ2**
- CQS
- SDA
- CU
- DPZ
- CXS
- TN
- ADVUL
- CQM
- MGP
- MGG
- CRA 1
- CY1B
- CS
Auto switch
- D
Auto switch
- AC,AD
- HR
- RB
- RBQ

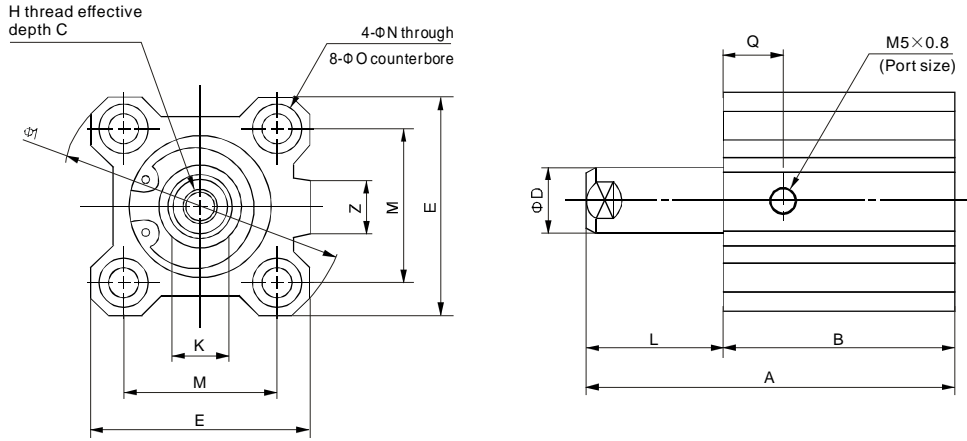
Compact Cylinder

Double Acting, Single Rod/Double Rod; Single Acting, Spring Return/Extend

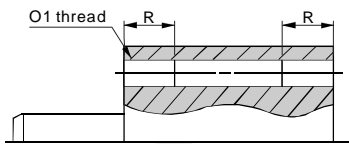
Series CQ2, CDQ2

CQ2B□-□T φ 12 to 25

Spring extend style (Through-hole), without magnet

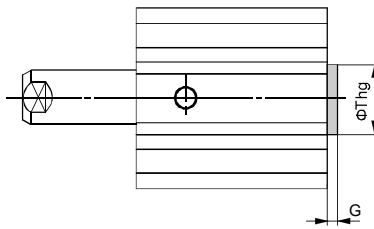


Both Ends Tapped Style



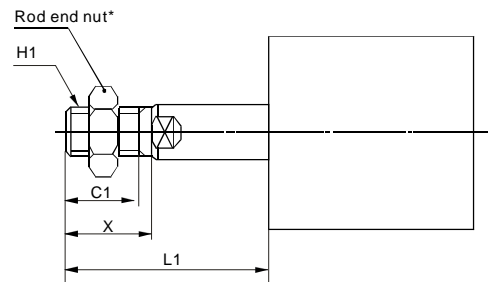
Bore size (mm)	O1	R
12	M4×0.7	7
16	M4×0.7	7
20	M6×1.0	10
25	M6×1.0	10

With boss in head side



Bore size (mm)	G	Th9
12	1.5	15 ⁰ _{-0.043}
16	1.5	20 ⁰ _{-0.052}
20	2	13 ⁰ _{-0.043}
25	2	15 ⁰ _{-0.043}

Rod end male thread



Bore size (mm)	C1	X	H1	L1	
				5 st	10 st
12	9	10.5	M5×0.8	19	24
16	10	12	M6×1.0	20.5	25.5
20	12	14	M8×1.25	23.5	28.5
25	15	17.5	M10×1.25	27.5	32.5

Bore size (mm)	A		B		C	D	E	H	I	K	L		M	N	O	Q	Z
	5 st	10 st	5 st	10 st							5 st	10 st					
12	30.5	40.5	22	27	6	6	25	M3×0.5	32	5	8.5	13.5	15.5	3.5	6.5 depth 3.5	7.5	—
16	32	42	23.5	28.5	8	8	29	M4×0.7	38	6	8.5	13.5	20	3.5	6.5 depth 3.5	8	10
20	34	44	24.5	29.5	7	10	36	M5×0.8	47	8	9.5	14.5	25.5	5.5	9 depth 7	9	10
25	37.5	47.5	27.5	32.5	12	12	40	M6×1.0	52	10	10	15	28	5.5	9 depth 7	11	10

Note): External dimensions with rubber bumper are same as standard type as shown above.

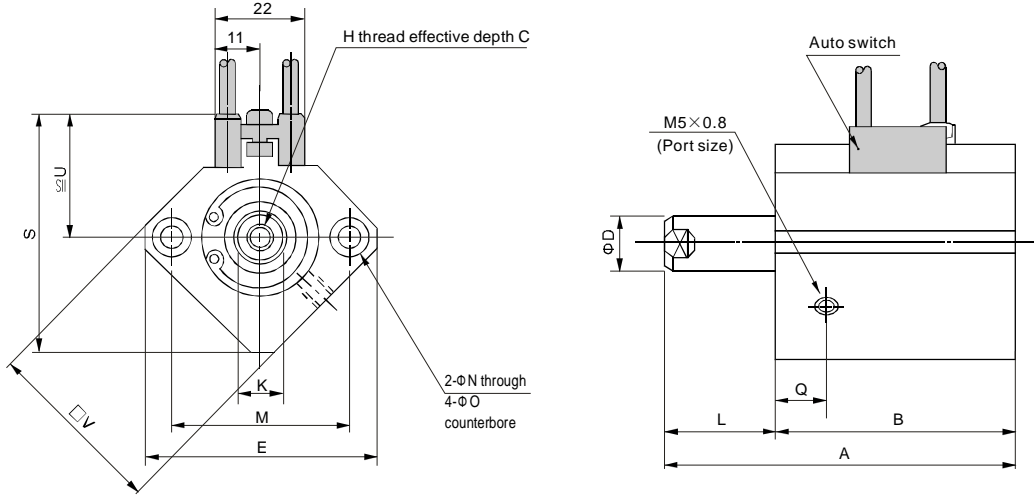
Compact Cylinder

Double Acting, Single Rod/Double Rod; Single Acting, Spring Return/Extend

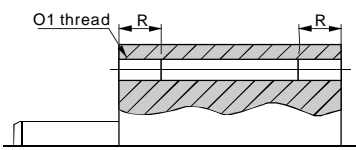
Series CQ2, CDQ2



CDQ2B□-□T φ 12 to 25
 Spring extend style (Through-hole), built-in magnet

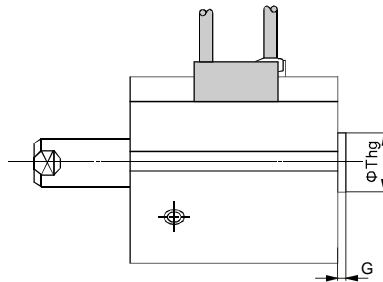


Both Ends Tapped Style



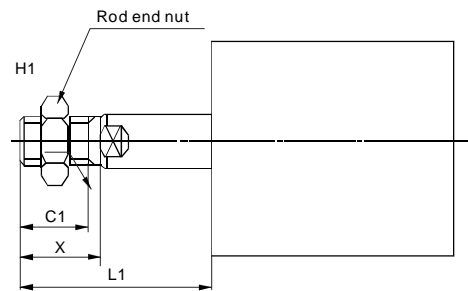
Bore size (mm)	O1	R
12	M4×0.7	7
16	M4×0.7	7
20	M6×1.0	10
25	M6×1.0	10

With boss in head side



Bore size (mm)	G	Th9
12	1.5	15 ⁰ _{-0.043}
16	1.5	20 ⁰ _{-0.052}
20	2	13 ⁰ _{-0.043}
25	2	15 ⁰ _{-0.043}

Rod end male thread



Bore size (mm)	C1	X	H1	L1	
				5 st	10 st
12	9	10.5	M5×0.8	19	24
16	10	12	M6×1.0	20.5	25.5
20	12	14	M8×1.25	23.5	28.5
25	15	17.5	M10×1.25	27.5	32.5

Bore size (mm)	A		B		C	D	E	H	K	L		M	N	O	Q	S	U	V
	5 st	10 st	5 st	10 st						5 st	10 st							
12	45.9	55.9	37.4	42.4	6	6	32	M3×0.5	5	8.5	13.5	22	3.5	6.5 depth 3.5	11	35.5	19.5	25
16	44	54	35.5	40.5	8	8	38	M4×0.7	6	8.5	13.5	28	3.5	6.5 depth 3.5	10	41.5	22.5	29
20	46	56	36.5	41.5	7	10	47	M5×0.8	8	9.5	14.5	36	5.5	9 depth 7	10.5	48	24.5	30
25	47.5	57.5	37.5	42.5	12	12	52	M6×1.0	10	10	15	40	5.5	9 depth 7	11	53.5	27.5	40

Note): External dimensions with rubber bumper are same as standard type as shown above.

I

CJP

CJ1

DNC

DNCB

DNG

C95

SI

CS1

MB

SU

SC

DSNU

C85

CJ2

CM2

MA

MAL

ADVU

CQ2

CQS

SDA

CU

DPZ

CXS

TN

ADVUL

CQM

MGP

MGG

CRA1

CY1B

CS

D

Auto switch

AC,AD

HR

RB

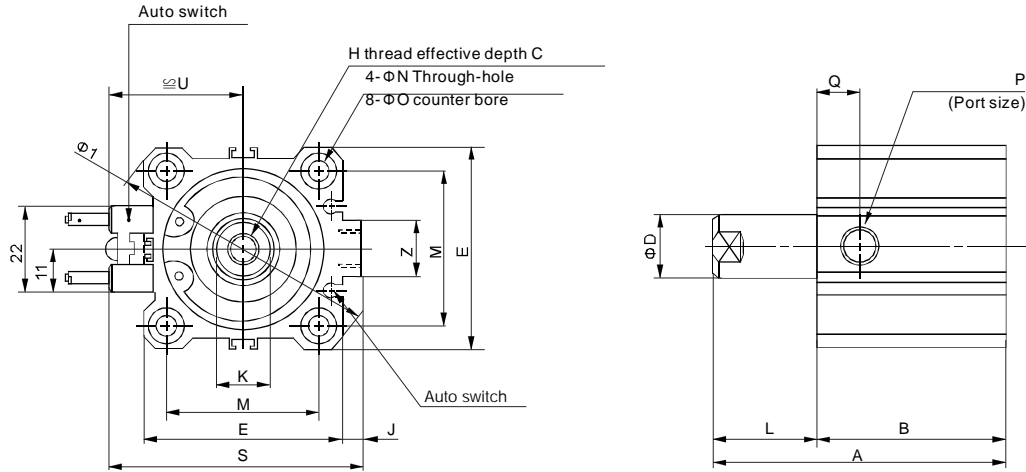
RBQ

Compact Cylinder

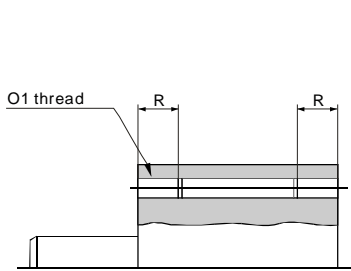
Double Acting, Single Rod/Double Rod; Single Acting, Spring Return/Extend

Series CQ2, CDQ2

C(D)Q2B□-□T φ32 to 50
Spring extend style (Through-hole)

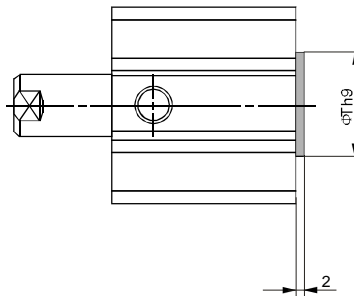


Both Ends Tapped Style



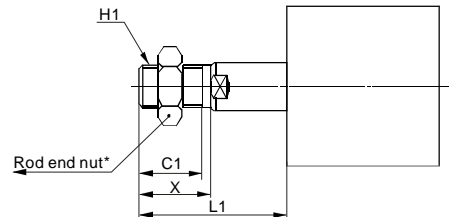
Bore size (mm)	O1	R
32	M6×1.0	10
40	M6×1.0	10
50	M8×1.25	14

With boss in head side



Bore size (mm)	Th9
32	21 ⁰ _{-0.052}
40	28 ⁰ _{-0.052}
50	35 ⁰ _{-0.062}

Rod end male thread



Bore size (mm)	C1	X	H1	L1		
				5 st	10 st	20 st
32	20.5	23.5	M14×1.5	33.5	38.5	—
40	20.5	23.5	M14×1.5	33.5	38.5	—
50	26	28.5	M18×1.5	—	43.5	53.5

Bore size (mm)	Without magnet												Built-in magnet						P	Q
	A			B			P			Q			A			B				
	5 st	10 st	20 st	5 st	10 st	20 st	5 st	10 st	20 st	5 st	10 st	20 st	5 st	10 st	20 st	5 st	10 st	20 st		
32	40	50	—	28	33	—	M5x0.8	Rc 1/8	—	11.5	10.5	—	50	60	—	38	43	—	Rc 1/8	10.5
40	46.5	56.5	—	34.5	39.5	—	Rc 1/8	—	11	11	—	56.5	66.5	—	44.5	49.5	—	Rc 1/8	11	
50	—	68.5	78.5	—	40.5	50.5	—	Rc 1/4	—	10.5	10.5	—	68.5	88.5	—	50.5	60.5	—	Rc 1/4	10.5

Bore size (mm)	C	D	E	H	I	J	K	L			M	N	O	S	U	Z
								5 st	10 st	20 st						
32	13	16	45	M8×1.25	60	4.5	14	12	17	—	34	5.5	9 depth 7	58.5	31.5	14
40	13	16	52	M8×1.25	69	5	14	12	17	—	40	5.5	9 depth 7	66	35	14
50	15	20	64	M10×1.5	86	7	17	—	18	28	50	6.6	11 depth 8	80	41	19

Note): External dimensions with rubber bumper are same as standard type as shown above.