

# Vacuum Ejector Series CV

**ANSSION**  
PNEUMATIC & HYDRAULIC



### ◆ How to Order

CV - 10

Port size

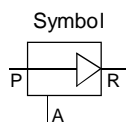
|    |     |    |     |
|----|-----|----|-----|
| 05 | 1/8 | 10 | 1/8 |
| 15 | 1/4 | 20 | 3/8 |

Model

|           |                |
|-----------|----------------|
| CV Series | Vacuum Ejector |
|-----------|----------------|

|    |
|----|
| V  |
| CV |
| ZU |
| ZH |

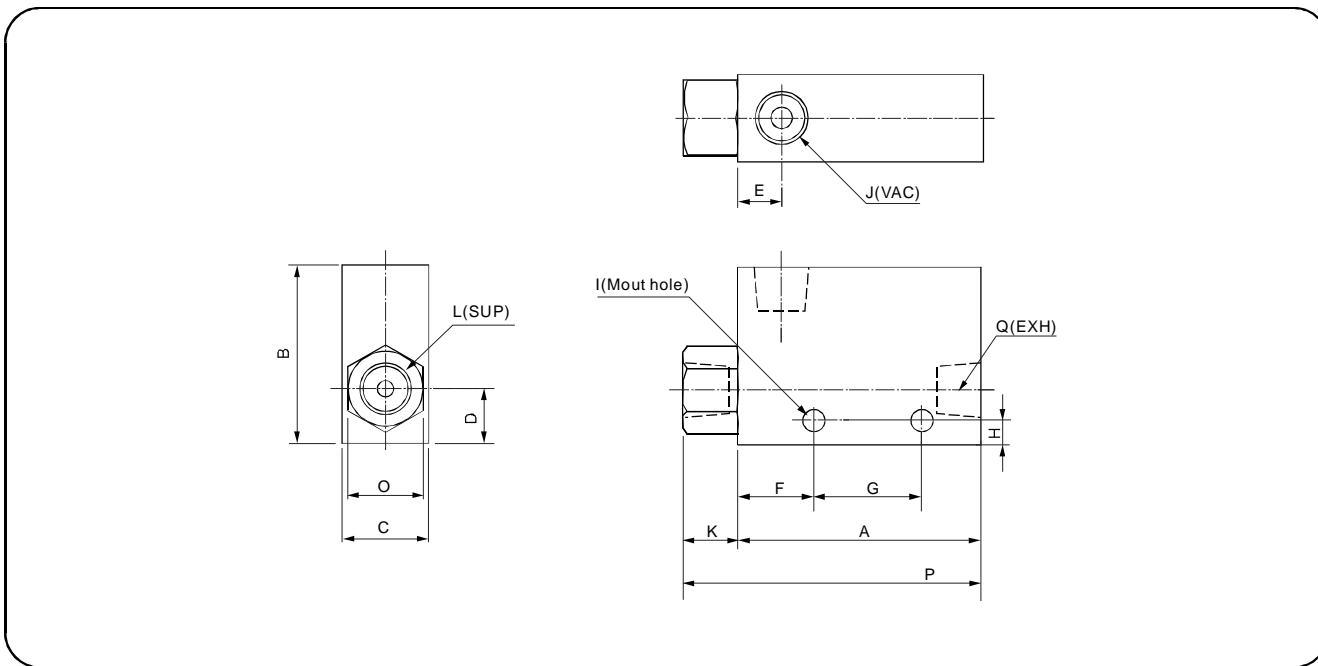
### ◆ Specifications



| Model                         | CV-05                | CV-10    | CV-15 | CV-20 |
|-------------------------------|----------------------|----------|-------|-------|
| Fluid                         | Air                  |          |       |       |
| Port size                     | Rc1/8                | Rc1/8    | Rc1/4 | Rc3/8 |
| Nozzle dia.                   | 0.5mm                | 1.0mm    | 1.5mm | 2.0mm |
| Standard supply pressure      | 0.5MPa               |          |       |       |
| Ambient and fluid temperature | 0~60°C (No freezing) |          |       |       |
| Max. Vacuum pressure(kPa)     | -86.7kPa             | -91.8kPa |       |       |

\*Supply pressure: 0.45MPa

### ◆ Dimensions



| Model | A  | B  | C  | D  | E  | F  | G  | H   | I      | J     | K  | L     | O  | P   | Q     |
|-------|----|----|----|----|----|----|----|-----|--------|-------|----|-------|----|-----|-------|
| CV-05 | 45 | 33 | 16 | 10 | 8  | 14 | 20 | 4.5 | 2-Φ4.2 | Rc1/8 | 10 | Rc1/8 | 14 | 55  | Rc1/8 |
| CV-10 | 45 | 33 | 16 | 10 | 8  | 14 | 20 | 4.5 | 2-Φ4.2 | Rc1/8 | 10 | Rc1/8 | 14 | 55  | Rc1/8 |
| CV-15 | 63 | 35 | 20 | 11 | 10 | 20 | 25 | 5   | 2-Φ4.5 | Rc1/4 | 15 | Rc1/4 | 17 | 78  | Rc1/4 |
| CV-20 | 85 | 40 | 30 | 15 | 13 | 28 | 32 | 7   | 2-Φ6   | Rc3/8 | 20 | Rc1/4 | 24 | 105 | Rc1/2 |