

# Auto Switch

## Reed Switch Type: Band Mounting Style

# Series D-C73



### ◆ Auto Switch Specifications

PLC: Abbreviation of Programmable Logic Controller

Auto switch model	<b>D-C73</b>	
Applicable load	Relay, PLC	
Load voltage	24 VDC	100 VAC
Max. load current and range <sup>(1)</sup>	5 to 40 mA	5 to 20 mA
Contact protection circuit	None	
Internal voltage drop	2.4V or less	
Indicator light	Red LED lights when ON.	

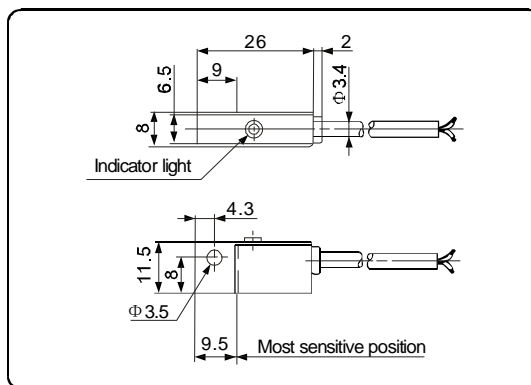
\* Lead wire-Oil resistant vinyl heavy-duty cord,  $\Phi$  3.4, 0.2mm<sup>2</sup>, 3 cores(Brown, Black, Blue), 2 cores(Brown, Blue),0.5m.

\* Note(1): Under 5 mA, the strength of the indicator light is poor. In some cases, visibility of the indicator light will not be possible where the output signal is less than 2.5 mA. However, there is no problem in terms of contact output, when an output signal exceeds 1 mA or more.

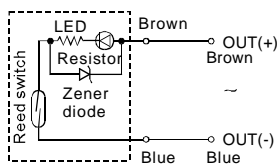
### ◆ Weight

Auto switch model	<b>D-C73</b>	
Lead wire length (m)	0.5	9
	3	46
	5	76

### ◆ Dimensions



Auto Switch Internal Circuit



# Auto Switch

## Reed Switch Type: Band Mounting Style

# Series D-A73



### ◆ Auto Switch Specifications

PLC: Abbreviation of Programmable Logic Controller

Auto switch model	<b>D-A73</b>	
Applicable load	Relay, PLC	
Load voltage	24 VDC	100 VAC
Load current range <sup>(1)</sup>	5 to 40 mA	5 to 20 mA
Contact protection circuit	None	
Internal voltage drop	2.4V or less	
Indicator light	Red LED lights when ON.	

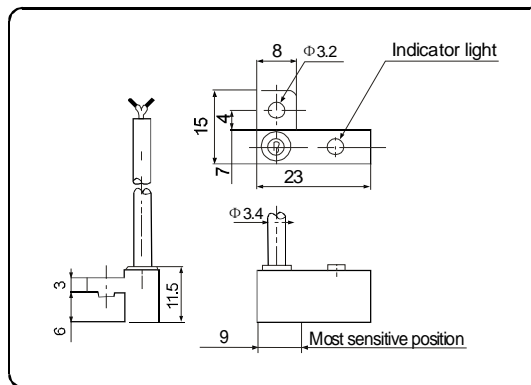
\* Lead wire-Oil resistant vinyl heavy-duty cord,  $\Phi$  3.4, 0.2mm<sup>2</sup>, 2 cores(Brown, Blue),0.5m.

\* Note(1): Under 5 mA, the strength of the indicator light is poor. In some cases, visibility of the indicator light will not be possible where the output signal is less than 2.5 mA. However, there is no problem in terms of contact output, when an output signal exceeds 1 mA or more.

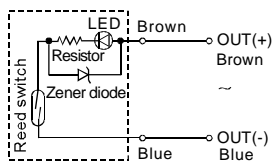
### ◆ Weight

Auto switch model	<b>D-A73</b>	
Lead wire length (m)	0.5	10
	3	47
	5	77

### ◆ Dimensions



Auto Switch Internal Circuit

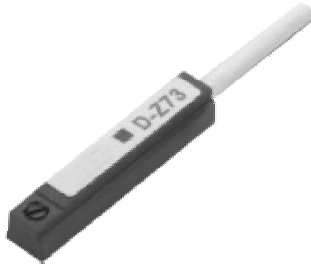


I
CJP
CJ1
DNC
DNCB
DNG
C95
SI
CS1
MB
SU
SC
DSNU
C85
CJ2
CM2
MA
MAL
ADVU
CQ2
CQS
SDA
CU
DPZ
CXS
TN
ADVUL
CQM
MGP
MGG
CRA1
CY1B
CS
Auto switch
D
Auto switch
AC,AD
HR
RB
RBQ

# Auto Switch

Reed Switch Type: Direct Mounting Style

## Series D-Z73



### ◆ Auto Switch Specifications

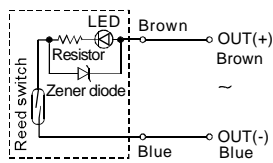
PLC: Abbreviation of Programmable Logic Controller

Auto switch model	D-Z73	
Applicable load	Relay, PLC	
Load voltage	24 VDC	100 VAC
Max.load current and load current range <sup>(1)</sup>	5 to 40 mA	5 to 20 mA
Contact protection circuit	None	
Internal voltage drop	2.4V or less(to 20mA) / 3V or less(to 40mA)	
Indicator light	Red LED lights when ON.	

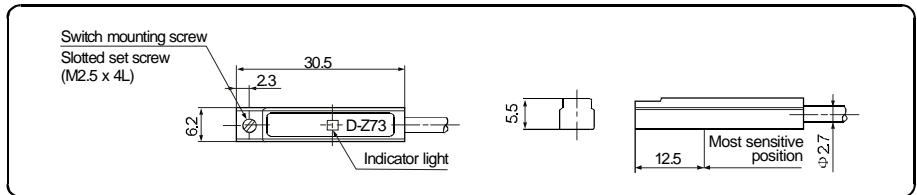
### ◆ Weight

Auto switch model	D-Z73	
Lead wire length (m)	0.5	7
	3	31
	5	50

Auto Switch Internal Circuit



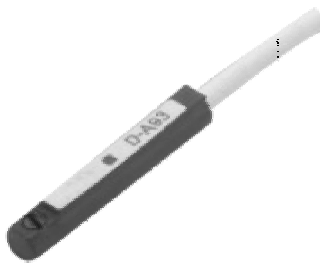
### ◆ Dimensions



# Auto Switch

Reed Switch Type: Direct Mounting Style

## Series D-A93

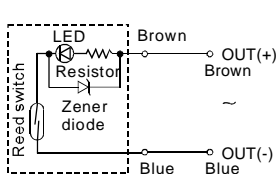


### ◆ Auto Switch Specifications

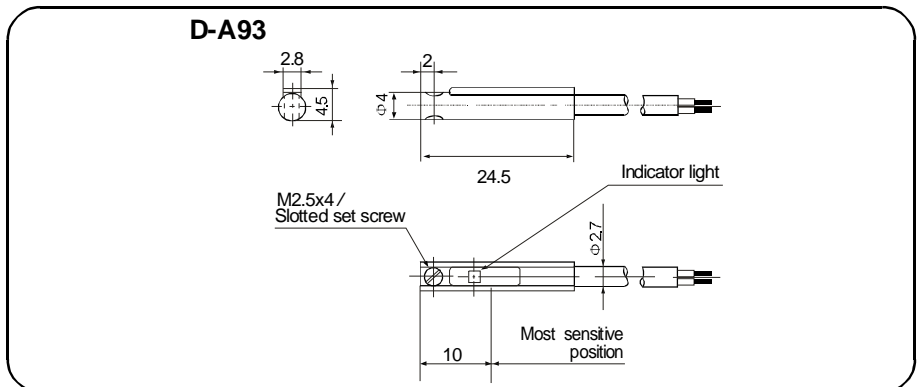
PLC: Abbreviation of Programmable Logic Controller

Auto switch model	D-A93	
Applicable load	Relay, PLC	
Load voltage	24 VDC	100 VAC
Load current range and <sup>(1)</sup> Maximum load current	5 to 40 mA	5 to 20 mA
Contact protection circuit	None	
Internal voltage drop	D-A93: 2.4V or less(up to 20 mA)/3V or less(up to 40 mA)	
Indicator light	Red LED lights when ON.	

Auto Switch Internal Circuit



### ◆ Dimensions



### ◆ Weight

Model	D-A93
Lead wire length:0.5m	6
Lead wire length:3m	30

# Auto Switch

## Reed Switch Type: Tie-rod Mounting Style

# Series D-A54



**D-A54**

### ◆ Auto Switch Specifications

PLC: Abbreviation of Programmable Logic Controller

Auto switch part model	D-A54		
Applicable load	Relay, PLC		
Load voltage	24 VDC	100 VAC	200 VAC
Maximum load <sup>(1)</sup> current and range	5 to 50 mA	5 to 25 mA	5 to 12.5 mA
Contact protection circuit	Built-in		
Internal voltage drop	2.4V or less(to 20mA) / 3.5V or less(to 40mA)		
Indicator light	Red LED lights when ON.		

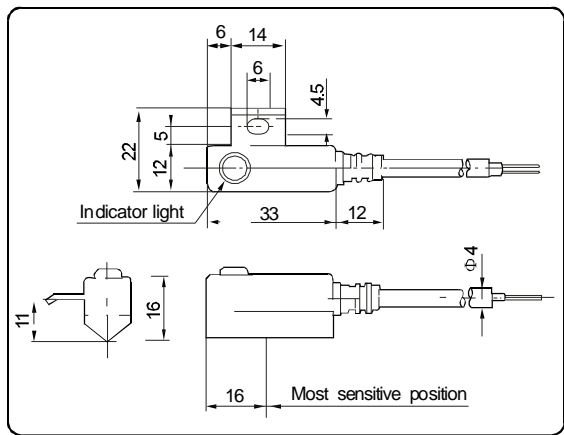
\* Lead wire-Oil resistant vinyl heavy-duty cord,  $\Phi 4$ , 0.3mm<sup>2</sup>, 2 cores(Brown, Blue), or 0.2mm 3 cores(Brown, Black, Blue), 0.5m.

\* Note(1): Under 5 mA, the strength of the indicator light is poor. In some cases, visibility of the indicator light will not be possible where the output signal is less than 2.5 mA. However, there is no problem in terms of contact output, when an output signal exceeds 1 mA or more.

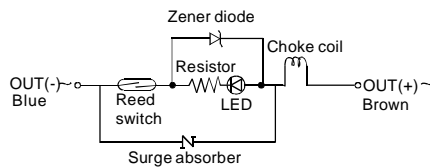
### ◆ Weight

Auto switch model	D-A54	
Lead wire length (m)	0.5	24
	3	48
	5	96

### ◆ Dimensions



Auto Switch Internal Circuit



I
CJP
CJ1
DNC
DNCB
DNG
C95
SI
CS1
MB
SU
SC
DSNU
C85
CJ2
CM2
MA
MAL
ADVU
CQ2
CQS
SDA
CU
DPZ
CXS
TN
ADVUL
CQM
MGP
MGG
CRA1
CY1B
CS
Auto switch
D
Auto switch
AC,AD
HR
RB
RBQ