

# ISO / VDMA Standard Cylinder

## Double Acting, Single Rod

### Series DNCB

#### ◆ How to Order

**DNCB** **80** - **50** - **PPV** - **A**

#### Magnet

<b>Nil</b>	Without magnet	<b>A</b>	Built-in magnet
------------	----------------	----------	-----------------

#### Cushion

<b>PPV</b>	Adjustable air cushion at both ends
------------	-------------------------------------

#### Cylinder Stroke (mm)

10...2000mm
-------------

#### Bore size (mm)

<b>32</b>	<b>40</b>	<b>50</b>	<b>63</b>	<b>80</b>	<b>100</b>
-----------	-----------	-----------	-----------	-----------	------------

#### Model

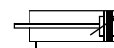
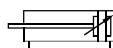
<b>DNCB</b>	Double-acting	
Conforms to	■ ISO 15552	■ NFE 49003.1
	■ ISO 6431	■ UNI 10290
	■ VDMA 24562	



#### Symbol

DNCB□-□-PPV

DNCB□-□-PPV-A



#### ◆ Specifications

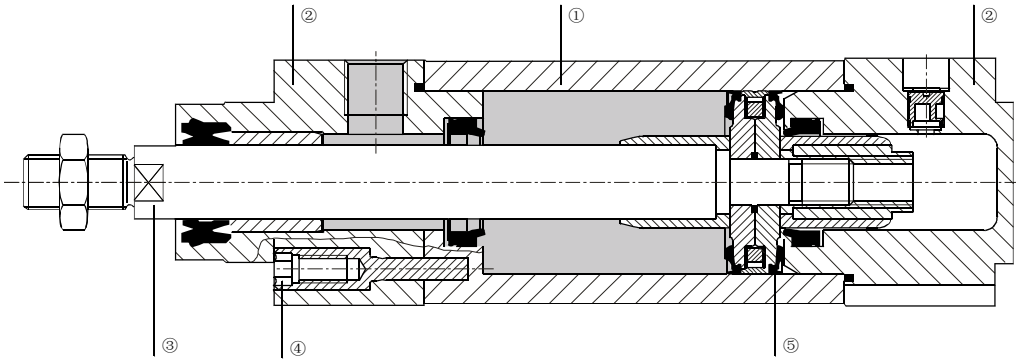
Bore size (mm)	32	40	50	63	80	100
Action	Double acting, single rod					
Fluid	Filtered compressed air					
Proof Pressure	1.5 Mpa					
Operating pressure range	0.05~1.0 Mpa					
Ambient and fluid temperature	-20~80℃(No freezing)					
Port size	G 1/8	G1/4		G3/8		G1/2
Piston rod thread	M10×1.25	M12×1.25	M16×1.5		M20×1.5	
Cushion	Adjustable air cushion at both ends					

Note): Please contact with ANSSION for the mounting accessories.

# ISO / VDMA Standard Cylinder Double Acting, Single Rod Series DNCB



## ◆ Materials

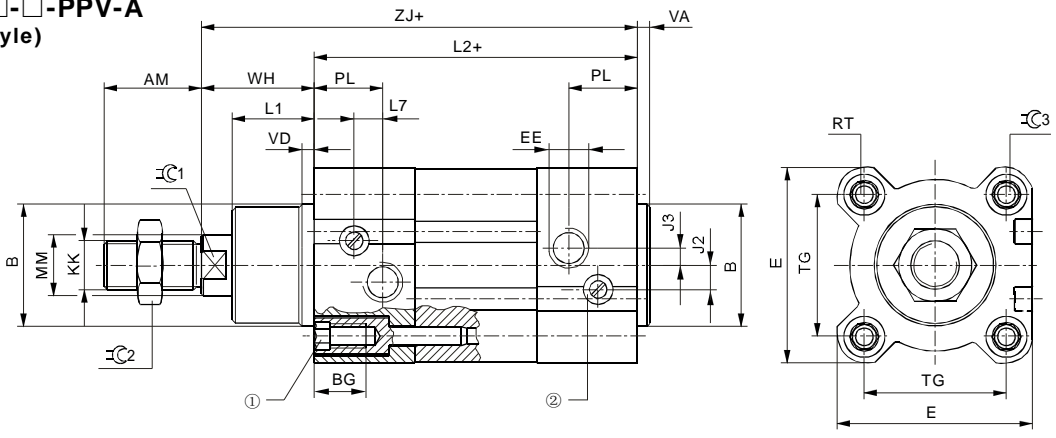


Basic type

① Cylinder barrel	Wrought aluminium alloy	④ Flange screws	Tempered steel
② Bearing/end caps	Wrought aluminium alloy	⑤ Dynamic seals	Polyurethane
③ Piston rod	High-alloy steel		

## ◆ Dimensions

DNCB□-□-PPV-A  
(Basic style)



① Socket head screw with female thread for mounting attachments

② Regulating screw for adjustable end-position cushioning

+ = plus stroke length

Note): The dimensions of built-in magnet type cylinder are exactly the same as without magnet type cylinder.

Bore size(mm)	AM	B φ d11	BG	E	EE	J2	J3	KK	L1	L2	L2
32	22	30	16	45	G1/8	5.25	5.7	M10×1.25	18	94	6.5
40	24	35	16	54	G1/4	8	4	M12×1.25	21.3	105	7.5
50	32	40	17	64	G1/4	8	5.5	M16×1.5	26.8	106	9.5
63	32	45	17	75	G3/8	12.75	6.25	M16×1.5	27	121	9
80	40	45	17	93	G3/8	12.5	8	M20×1.5	34.2	128	11
100	40	55	17	110	G1/2	13.5	10	M20×1.5	38	138	7.5

Bore size(mm)	MM φ f8	PL	RT	TG	VA	VD	WH	ZJ	⊖C1	⊖C2	⊖C3
32	12	19.5	M6	32.5	4	4	26	120	10	16	6
40	16	22.5	M6	38	4	4	30	135	13	18	6
50	20	22.5	M8	46.5	4	4	37	143	17	24	8
63	20	27.5	M8	56.5	4	4	37	158	17	24	8
80	25	30	M10	72	4	4	46	174	22	30	6
100	25	31.5	M10	89	4	4	51	189	22	30	6

I

CJP

CJ1

DNC

**DNCB**

DNG

C95

SI

CS1

MB

SU

SC

DSNU

C85

CJ2

CM2

MA

MAL

ADVU

CQ2

CQS

SDA

CU

DPZ

CXS

TN

ADVUL

CQM

MGP

MGG

CRA1

CY1B

CS

D

AC,AD

HR

RB

RBQ