

Air Filter / Regulator + Lubricator

Mini Type 2 Units Air Combination

Series FRL600A

ANSSION
PNEUMATIC & HYDRAULIC

◆ How to Order

FRL600A – 02 N C H



Drain type

Nil	Semi-auto drain
H	Manual drain

Filtration

Nil	5 μ m	C	40 μ m
-----	-------	---	--------

Thread

Nil	G	N	NPT
-----	---	---	-----

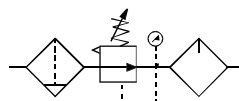
Port size

01	1/8	02	1/4
----	-----	----	-----

Air Filter / Regulator+Lubricator

FRL600A	Polycarbonate body
---------	--------------------

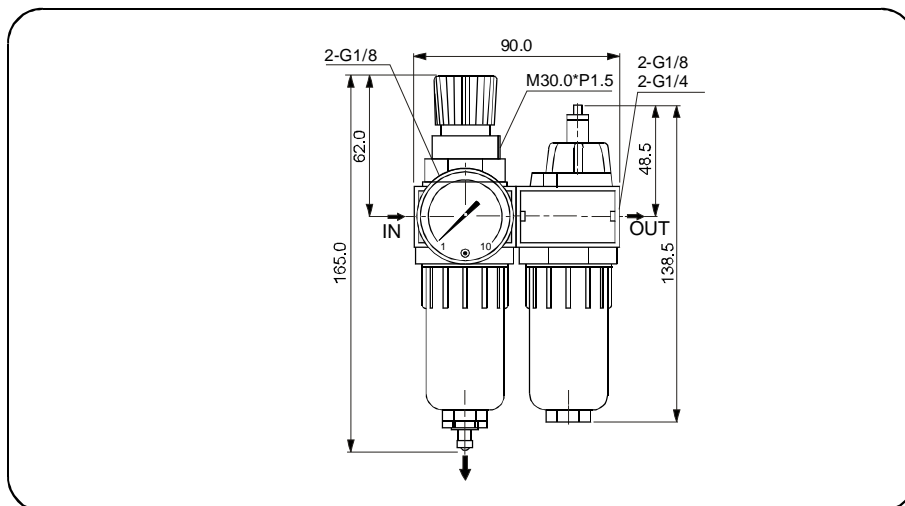
Symbol



◆ Specifications

Model	FRL600A-01	FRL600A-02
Port size	1/8(option)	1/4(standard)
Fluid	Air	
Construction	Diaphragm type regulator	
Body material	Polycarbonate	
Bowl material	Polycarbonate(standard), Anti-acid & alkali(option)	
Filtration	5 μ m(standard), 40 μ m(option)	
Set pressure range	0.05~0.8 MPa	
Max. Inlet pressure(standard)	0.8 MPa	
Max. flow rate	1650 l/min	1850 l/min
Ambient and fluid temperature	-10°C~60°C(No freezing)	
Recommended lubricant	Turbin oil class 1(ISO VG32)	
Filter bowl capacity	35cc	
Lubricator bowl capacity	50cc	
Standard drain	Semi-automatic drain(below 0.05MPa)	
Net weight	560g	
Accessories	1 Gauge, 1 bracket, 4 screw, 1 plug	

◆ Dimensions



III

AD401,402

AC

AW

AF

AR

AL

UFRL

UFR/L

UFR

UF

UR

UL

FRL700A

FRL600A

FR500A

F200A

NR200

R 200

L200A

AAC,ABC

AAF,ABF

AAF,ABF

AAR,ABR

AAL,ABL

SFC

SFR

SL