

Mini One-touch Fittings

Applicable Tubing: ϕ 3.2, ϕ 4, ϕ 6

Series KJ

ANSSION
PNEUMATIC & HYDRAULIC

APPLICABLE TUBING

| Tube material | Polyurethane(PU), Nylon, Soft nylon | | |
|---------------|-------------------------------------|----------|----------|
| Tube O.D. | ϕ 3.2 | ϕ 4 | ϕ 6 |
| Code | 23 | 04 | 06 |

CONNECTION THREAD

| Thread | With seal glue | | |
|-------------|-----------------|-----------------|-------|
| Thread size | M3 \times 0.5 | M5 \times 0.8 | R 1/8 |
| Code | M3 | M5 | 01 |

Male Connector: KJH

(M3, M5)



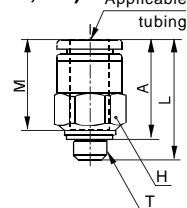
(R1/8)



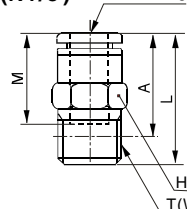
| Applicable tubing O.D. (mm) | Connection thread T | Model | H (width across flats) | L | A | M | Effective area (mm ²) | | Weight (g) |
|-----------------------------|---------------------|-----------|------------------------|------|-------|------|-----------------------------------|----------|------------|
| | | | | | | | Nylon | Urethane | |
| 3.2 | M3 \times 0.5 | KJH23-M3 | 7 | 16.3 | 13.7 | 12.7 | 0.9 | 0.9 | 1.6 |
| | M5 \times 0.8 | KJH23-M5 | | 16.7 | 13.6 | | 3 | 2.5 | 2 |
| | R1/8 | KJH23-01S | 10 | 13.8 | 9.8* | | | | 4.7 |
| 4 | M3 \times 0.5 | KJH04-M3 | 8 | 16.3 | 13.7 | 12.7 | 0.9 | 0.9 | 1.9 |
| | M5 \times 0.8 | KJH04-M5 | | 17 | 13.9 | | 4 | 4 | 2.4 |
| | R1/8 | KJH04-01S | 10 | 14.8 | 10.8* | | | | 4.6 |
| 6 | M5 \times 0.8 | KJH06-M5 | 10 | 17.8 | 14.7 | 13.5 | 4 | 4 | 3.3 |
| | R1/8 | KJH06-01S | | 19.4 | 15.4* | | 10 | 10 | 5.2 |

*Reference dimensions after R thread installation.

(M3, M5)



(R1/8)



Hexagon Socket Head Male Connector: KJS

(M3, M5)

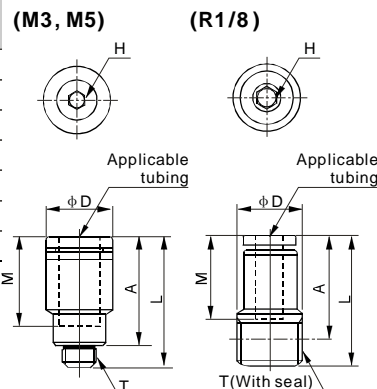


(R1/8)



| Applicable tubing O.D. (mm) | Connection thread T | Model | H (width across flats) | Note) ϕ D | L | A | M | Effective area (mm ²) | | Weight (g) |
|-----------------------------|---------------------|-----------|------------------------|----------------|------|-------|------|-----------------------------------|----------|------------|
| | | | | | | | | Nylon | Urethane | |
| 3.2 | M3 \times 0.5 | KJS23-M3 | 1.5 | 7 | 16.3 | 13.7 | 12.7 | 1.4 | 1.4 | 1.3 |
| | M5 \times 0.8 | KJS23-M5 | 2 | | 19.7 | 16.6 | | 2.5 | 2.5 | 2.8 |
| 4 | M3 \times 0.5 | KJS04-M3 | 1.5 | 8 | 16.3 | 13.7 | 12.7 | 1.4 | 1.4 | 1.6 |
| | M5 \times 0.8 | KJS04-M5 | 2.5 | | 18.7 | 15.6 | | 4 | 4 | 2.7 |
| | R1/8 | KJS04-01S | 3 | 9.8 | 19.7 | 15.7* | | | | 5.4 |
| 6 | M5 \times 0.8 | KJS06-M5 | 2.5 | 10 | 19.5 | 16.4 | 13.5 | 4 | 4 | 3.3 |
| | R1/8 | KJS06-01S | 4 | | 20 | 16* | | 10 | 10 | 5.2 |

*Reference dimensions after R thread installation.
Note ϕ D: Max. diameter

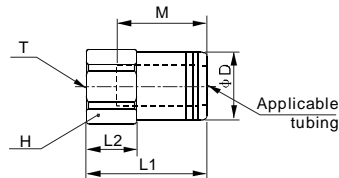


Female Connector: KJF



| Applicable tubing O.D. (mm) | Connection thread T | Model | H (width across flats) | Note) ϕ D | L1 | L2 | M | Effective area (mm ²) | | Weight (g) |
|-----------------------------|---------------------|----------|------------------------|----------------|------|-----|------|-----------------------------------|----------|------------|
| | | | | | | | | Nylon | Urethane | |
| 3.2 | M3 \times 0.5 | KJF23-M3 | 7 | 7 | 16.5 | 6.8 | 12.7 | 3 | 2.5 | 2.6 |
| | M5 \times 0.8 | KJF23-M5 | | | 18.8 | 7.9 | | 2.8 | | |
| 4 | M3 \times 0.5 | KJF04-M3 | 8 | 8 | 16.1 | 6.4 | 2.7 | 4 | 4 | 3.2 |
| | M5 \times 0.8 | KJF04-M5 | | | 18.7 | 7.8 | | 3.8 | | |
| 6 | M5 \times 0.8 | KJF06-M5 | 10 | 10 | 18 | 7.5 | 13.5 | 10 | 10 | 5.3 |

Note) ϕ D: Max. diameter

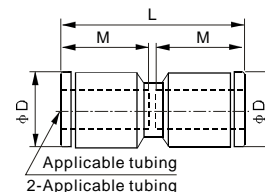


Straight Union: KJH



| Applicable tubing O.D. (mm) | Model | Note) ϕ D | L | M | Effective area (mm ²) | | Weight (g) |
|-----------------------------|----------|----------------|------|------|-----------------------------------|----------|------------|
| | | | | | Nylon | Urethane | |
| 3.2 | KJH23-00 | 8.4 | 26.3 | 12.7 | 3 | 2.5 | 1.4 |
| 4 | KJH04-00 | 9.3 | 26.3 | 12.7 | 4 | 4 | 1.7 |
| 6 | KJH06-00 | 11.6 | 28 | 13.5 | 10 | 10 | 2.5 |

Note) ϕ D: Max. diameter



Mini One-touch Fittings

Applicable Tubing: $\phi 3.2, \phi 4, \phi 6$

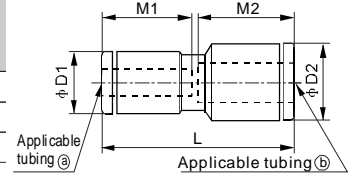
Series KJ

Different Diameter Straight: KJH

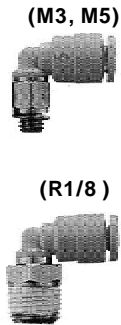


| Applicable tubing O.D. (mm) | | Model | Note) $\phi D1$ | Note) $\phi D2$ | L | M1 | M2 | Effective area (mm ²) | | Weight (g) |
|-----------------------------|----|-----------------|-----------------|-----------------|------|------|------|-----------------------------------|----------|------------|
| a) | b) | | | | | | | Nylon | Urethane | |
| 3.2 | 4 | KJH23-04 | 8.4 | 9.3 | 26.3 | 12.7 | 12.7 | 3 | 2.5 | 1.6 |
| | 6 | KJH23-06 | | 11.6 | 27.2 | | | | | |
| 4 | 6 | KJH04-06 | 9.3 | 11.6 | 27.2 | 12.7 | 13.5 | 4 | 4 | 2.2 |

Note) $\phi D1, \phi D2$: Max. diameter

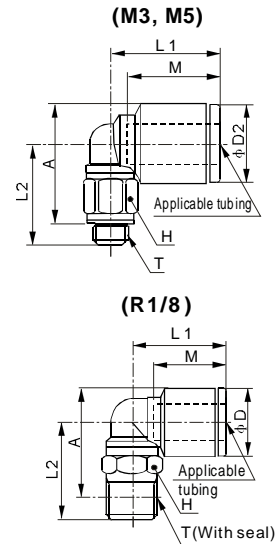


Male Elbow: KJL



| Applicable tubing O.D. (mm) | Connection thread T | Model | (width across flats) | Note) ϕD | L1 | L2 | A | M | Effective area (mm ²) | | Weight (g) | | |
|-----------------------------|---------------------|------------------|----------------------|----------------|------|------|------|------|-----------------------------------|----------|------------|-----|-----|
| | | | | | | | | | Nylon | Urethane | | | |
| 3.2 | M3×0.5 | KJL23-M3 | 7 | 8.4 | 15.3 | 12.5 | 14.1 | 12.7 | 0.8 | 0.8 | 2.1 | | |
| | M5×0.8 | KJL23-M5 | 10 | | | | | | 13.2 | 14.3 | 2.6 | 2.2 | 2.5 |
| | R1/8 | KJL23-01S | 10 | | | | | | 15.2 | 15.4* | 3.5 | 3.5 | 6.7 |
| 4 | M3×0.5 | KJL04-M3 | 7 | 9.3 | 15.6 | 13 | 15.1 | 12.7 | 0.8 | 0.8 | 2.2 | | |
| | M5×0.8 | KJL04-M5 | 10 | | | | | | 13.7 | 15.3 | 3.5 | 3.5 | 2.7 |
| | R1/8 | KJL04-01S | 10 | | | | | | 15.7 | 16.4* | 9 | 9 | 6.8 |
| 6 | M5×0.8 | KJL06-M5 | 7 | 11.6 | 16.1 | 14.7 | 17.4 | 13.5 | 3.5 | 3.5 | 3.2 | | |
| | R1/8 | KJL06-01S | 10 | | | | | | 17.8 | 16.7 | 18.5* | 9 | 9 |

*Reference dimensions after R thread installation.
Note) ϕD : Max. diameter

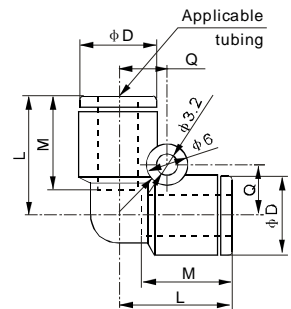


Union Elbow: KJL



| Applicable tubing O.D. (mm) | Model | Note) ϕD | L | Q | M | Effective area (mm ²) | | Weight (g) |
|-----------------------------|-----------------|----------------|------|-----|------|-----------------------------------|----------|------------|
| | | | | | | Nylon | Urethane | |
| 3.2 | KJL23-00 | 8.4 | 15 | 5.8 | 12.7 | 2.6 | 2.2 | 1.6 |
| 4 | KJL04-00 | 9.3 | 15.8 | 6.3 | 12.7 | 3.5 | 3.5 | 2 |
| 6 | KJL06-00 | 11.6 | 17.1 | 7.3 | 13.5 | 9 | 9 | 3.1 |

Note) ϕD : Max. diameter

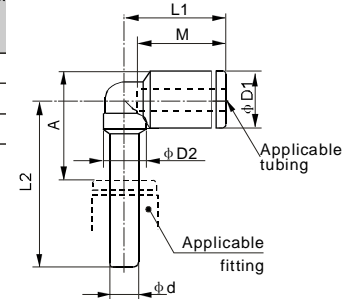


Plug-in Elbow: KJL



| Applicable tubing O.D. (mm) | Applicable fitting size ϕd | Model | Note) $\phi D1$ | $\phi D2$ | L1 | L2 | A | M | Effective area (mm ²) | | Weight (g) |
|-----------------------------|----------------------------------|-----------------|-----------------|-----------|------|------|------|------|-----------------------------------|----------|------------|
| | | | | | | | | | Nylon | Urethane | |
| 3.2 | 3.2 | KJL23-99 | 8.4 | 6 | 14.5 | 23.8 | 15.3 | 12.7 | 2.6 | 2.2 | 1 |
| 4 | 4 | KJL04-99 | 9.3 | 6 | 15.6 | 24.7 | 16.7 | 12.7 | 3.5 | 3.5 | 1.2 |
| 6 | 6 | KJL06-99 | 11.6 | 7 | 16.3 | 26.8 | 19.1 | 13.5 | 9 | 9 | 2 |

Note) $\phi D1$: Max. diameter



Mini One-touch Fittings

Applicable Tubing: ϕ 3.2, ϕ 4, ϕ 6

Series KJ

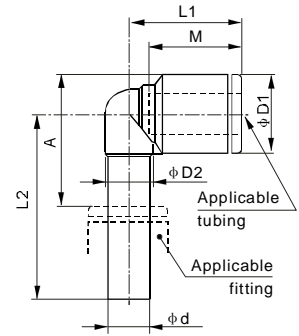


Reducer Elbow: KJL



| Applicable tubing O.D. (mm) | Applicable fitting size ϕ d | Model | Note) ϕ D1 | ϕ D2 | L1 | L2 | A | M | Effective area (mm ²) | | Weight (g) |
|-----------------------------|----------------------------------|-----------------|-----------------|-----------|------|------|------|------|-----------------------------------|----------|------------|
| | | | | | | | | | Nylon | Urethane | |
| 3.2 | 4 | KJL23-04 | 8.4 | 6 | 14.5 | 24.3 | 15.8 | 12.7 | 2.6 | 2.2 | 1.1 |
| | 6 | KJL23-06 | | | | 25.3 | 16 | | | | |
| 4 | 6 | KJL04-06 | 9.3 | 6 | 15.6 | 25.7 | 16.9 | 12.7 | 3.5 | 3.5 | 1.4 |

Note) ϕ D1: Max. diameter



Extended Male Elbow: KJW

(M3, M5)



(R1/8)

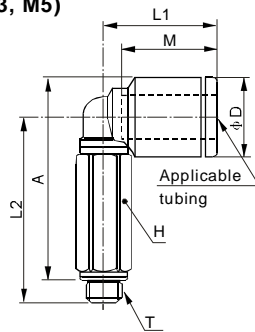


| Applicable tubing O.D. (mm) | Connection thread T | Model | H (width across flats) | Note) ϕ D | L1 | L2 | A | M | Effective area (mm ²) | | Weight (g) | | | |
|-----------------------------|---------------------|------------------|------------------------|----------------|------|-------|-------|------|-----------------------------------|----------|------------|-----|-----|------|
| | | | | | | | | | Nylon | Urethane | | | | |
| 3.2 | M3 \times 0.5 | KJW23-M3 | 7 | 8.4 | 15.3 | 22.5 | 24.1 | 12.7 | 0.8 | 0.8 | 5 | | | |
| | M5 \times 0.8 | KJW23-M5 | 7 | | | 25.2 | 26.3 | | | | | 2.6 | 2.2 | 6.2 |
| | R1/8 | KJW23-01S | 10 | | | 25.4* | 25.4* | | | | | | | |
| 4 | M3 \times 0.5 | KJW04-M3 | 7 | 9.3 | 15.6 | 23 | 25.1 | 12.7 | 0.8 | 0.8 | 5.1 | | | |
| | M5 \times 0.8 | KJW04-M5 | 7 | | | 25.7 | 27.3 | | | | | 3.5 | 3.5 | 6.4 |
| | R1/8 | KJW04-01S | 10 | | | 26.4* | 26.4* | | | | | | | |
| 6 | M5 \times 0.8 | KJW06-M5 | 7 | 11.6 | 16.1 | 26.7 | 29.4 | 13.5 | 3.5 | 3.5 | 6.9 | | | |
| | R1/8 | KJW06-01S | 10 | | 17.8 | 28.7 | 30.5* | | | | | 9 | 9 | 13.2 |

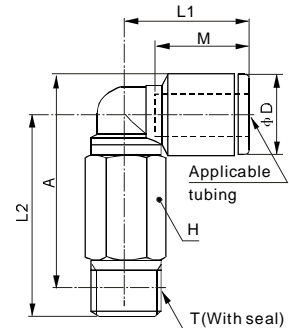
*Reference dimensions after R thread installation.

Note) ϕ D: Max. diameter

(M3, M5)



(R1/8)



Male Branch Tee: KJT

(M3, M5)



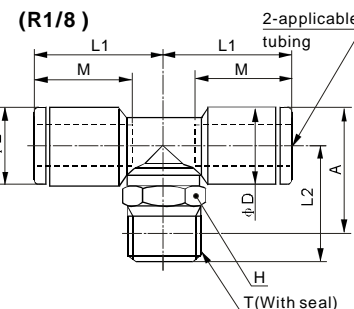
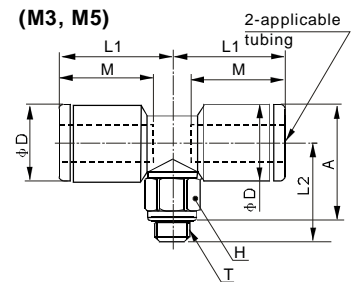
(R1/8)



| Applicable tubing O.D. (mm) | Connection thread T | Model | H (width across flats) | Note) ϕ D | L1 | L2 | A | M | Effective area (mm ²) | | Weight (g) | | | |
|-----------------------------|---------------------|------------------|------------------------|----------------|------|------|-------|------|-----------------------------------|----------|------------|-------|-----|-----|
| | | | | | | | | | Nylon | Urethane | | | | |
| 3.2 | M3 \times 0.5 | KJT23-M3 | 7 | 8.4 | 15.3 | 12.5 | 14.1 | 12.7 | 0.8 | 0.9 | 2.8 | | | |
| | M5 \times 0.8 | KJT23-M5 | | | | 13.2 | 14.3 | | | | | 2.2 | 2.7 | 3.2 |
| | R1/8 | KJT23-01S | | | | 15.2 | 15.4* | | | | | | | |
| 4 | M3 \times 0.5 | KJT04-M3 | 7 | 9.3 | 15.6 | 13 | 15.1 | 12.7 | 0.8 | 0.9 | 3.1 | | | |
| | M5 \times 0.8 | KJT04-M5 | | | | 13.7 | 15.3 | | | | | 3.5 | 4.5 | 3.5 |
| | R1/8 | KJT04-01S | | | | 15.7 | 16.4* | | | | | | | |
| 6 | M5 \times 0.8 | KJT06-M5 | 7 | 11.6 | 16.1 | 14.7 | 17.4 | 13.5 | 3.5 | 4.5 | 4.4 | | | |
| | R1/8 | KJT06-01S | | | 10 | 17.8 | 16.7 | | | | | 18.5* | 9 | 11 |

*Reference dimensions after R thread installation.

Note) ϕ D: Max. diameter



IV

KJ

KQ2

RP

GP

PF

PN

PK

PB

Y

MQC

BSL

AS

RQ

PU

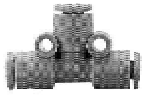
AG,DG

Mini One-touch Fittings

Applicable Tubing: $\phi 3.2, \phi 4, \phi 6$

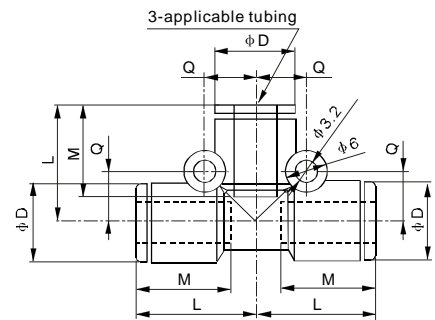
Series KJ

Union Tee: KJT



| Applicable tubing O.D. (mm) | Model | Note) ϕD | L | Q | M | Effective area (mm ²) | | Weight (g) |
|-----------------------------|-----------------|----------------|------|-----|------|-----------------------------------|----------|------------|
| | | | | | | Nylon | Urethane | |
| 3.2 | KJT23-00 | 8.4 | 15 | 5.8 | 12.7 | 3.2 | 2.7 | 2.5 |
| 4 | KJT04-00 | 9.3 | 15.8 | 6.3 | 12.7 | 4.5 | 4.5 | 3 |
| 6 | KJT06-00 | 11.6 | 17.1 | 7.3 | 13.5 | 11 | 11 | 4.6 |

Note) ϕD : Max. diameter

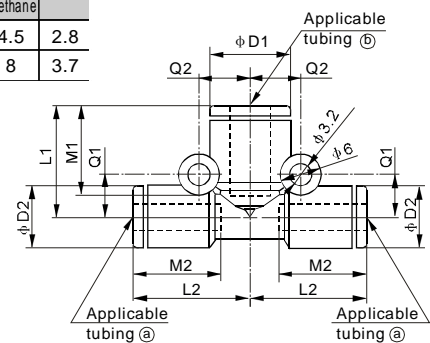


Different Diameter Tee: KJT



| Applicable tubing O.D. (mm) | | Model | Note) $\phi D1$ | Note) $\phi D2$ | L1 | L2 | Q1 | Q2 | M1 | M2 | Effective area (mm ²) | | Weight (g) |
|-----------------------------|---|-----------------|-----------------|-----------------|------|------|-----|-----|------|------|-----------------------------------|----------|------------|
| Ⓐ | Ⓑ | | | | | | | | | | Nylon | Urethane | |
| 3.2 | 4 | KJT23-04 | 9.3 | 8.4 | 15.3 | 15.8 | 5.8 | 6.3 | 12.7 | 12.7 | 4.5 | 4.5 | 2.8 |
| 4 | 6 | KJT04-06 | 11.6 | 9.3 | 16.6 | 16.8 | 6.3 | 7.3 | 13.5 | 12.7 | 8 | 8 | 3.7 |

Note) $\phi D1, \phi D2$: Max. diameter

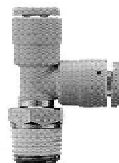


Male Run Tee: KJY

(M3, M5)



(R1/8)

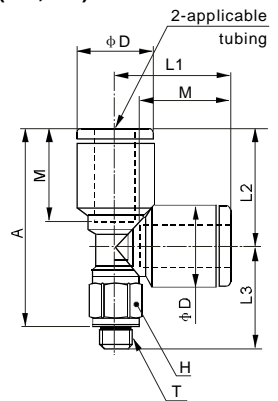


| Applicable tubing O.D. (mm) | Connection thread T | Model | H (width across flats) | Note) ϕD | L1 | L2 | L3 | A | M | Effective area (mm ²) | | Weight (g) | | | |
|-----------------------------|---------------------|------------------|------------------------|----------------|------|------|------|------|------|-----------------------------------|----------|------------|------|-------|----|
| | | | | | | | | | | Nylon | Urethane | | | | |
| 3.2 | M3×0.5 | KJY23-M3 | 7 | 8.4 | 15.4 | 14.8 | 12.5 | 24.7 | 12.7 | 0.9 | 0.9 | 2.8 | | | |
| | M5×0.8 | KJY23-M5 | | | | | | | | 3.2 | 2.7 | 3.2 | | | |
| | R1/8 | KJY23-01S | 10 | | | | | | | 15.2 | 26* | 7.4 | | | |
| 4 | M3×0.5 | KJY04-M3 | 7 | 9.3 | 15.6 | 14.8 | 13 | 25.2 | 12.7 | 0.9 | 0.9 | 3.1 | | | |
| | M5×0.8 | KJY04-M5 | | | | | | | | 4.5 | 4.5 | 3.5 | | | |
| | R1/8 | KJY04-01S | 10 | | | | | | | 15.7 | 26.5* | 7.7 | | | |
| 6 | M5×0.8 | KJY06-M5 | 7 | 11.6 | 17.1 | 17.1 | 14.7 | 28.7 | 13.5 | 4.5 | 4.5 | 4.5 | | | |
| | R1/8 | KJY06-01S | | | | | | | | 10 | 17.5 | 16.6 | 16.7 | 29.3* | 11 |

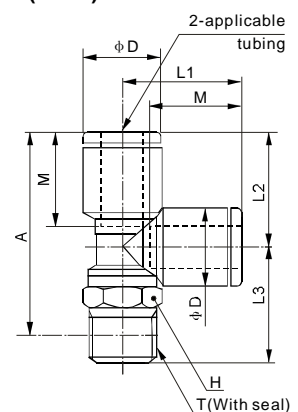
*Reference dimensions after R thread installation.

Note) ϕD : Max. diameter

(M3, M5)



(R1/8)



Mini One-touch Fittings

Applicable Tubing: ϕ 3.2, ϕ 4, ϕ 6

Series KJ

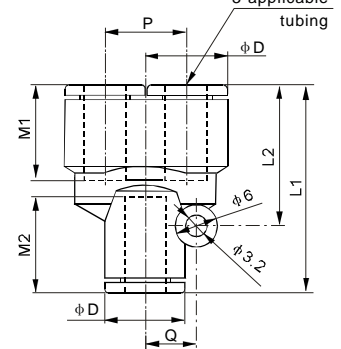


Union "Y": KJU



| Applicable tubing O.D. (mm) | Model | Note) ϕ D | L1 | L2 | P | Q | M1 | M2 | Effective area (mm ²) | | Weight (g) |
|-----------------------------|-----------------|----------------|------|------|------|-----|------|------|-----------------------------------|----------|------------|
| | | | | | | | | | Nylon | Urethane | |
| 3.2 | KJU23-00 | 8.4 | 28.5 | 19 | 8.4 | 5.8 | 12.7 | 12.9 | 3.2 | 2.7 | 2.6 |
| 4 | KJU04-00 | 9.3 | 27.9 | 18.3 | 9.3 | 6.3 | 12.7 | 12.9 | 4.5 | 4.5 | 3 |
| 6 | KJU06-00 | 11.6 | 31.2 | 21.6 | 11.6 | 7.3 | 13.5 | 13.7 | 11 | 11 | 4.7 |

Note) ϕ D: Max. diameter

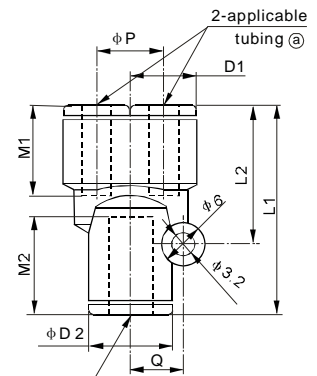


Different Diameter Union "Y": KJU



| Applicable tubing O.D. (mm) | | Model | Note) ϕ D1 | Note) ϕ D2 | L1 | L2 | P | Q | M1 | M2 | Effective area (mm ²) | | Weight (g) |
|-----------------------------|---|-----------------|-----------------|-----------------|------|------|-----|-----|------|------|-----------------------------------|----------|------------|
| Ⓐ | Ⓑ | | | | | | | | | | Nylon | Urethane | |
| 3.2 | 4 | KJU23-04 | 8.4 | 9.3 | 27.5 | 18.3 | 8.4 | 6.3 | 12.7 | 12.9 | 4.5 | 4.5 | 2.7 |
| 4 | 6 | KJU04-06 | 9.3 | 11.6 | 29.2 | 19.3 | 9.3 | 7.3 | 13.5 | 13.7 | 8 | 8 | 3.7 |

Note) ϕ D1, ϕ D2: Max. diameter

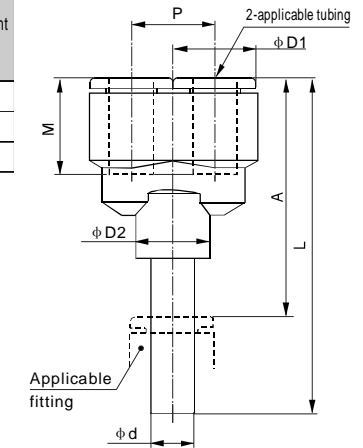


Plug-in "Y": KJU



| Applicable tubing O.D. (mm) | Applicable fitting size ϕ d | Model | Note) ϕ D1 | ϕ D2 | L | P | A | M | Effective area (mm ²) | | Weight (g) |
|-----------------------------|----------------------------------|-----------------|-----------------|-----------|------|------|------|------|-----------------------------------|----------|------------|
| | | | | | | | | | Nylon | Urethane | |
| 3.2 | 3.2 | KJU23-99 | 8.4 | 10 | 43.5 | 8.4 | 34.1 | 12.7 | 3.2 | 2.7 | 2.7 |
| 4 | 4 | KJU04-99 | 9.3 | 10 | 44.7 | 9.3 | 35.3 | 12.7 | 4.5 | 4.5 | 3.2 |
| 6 | 6 | KJU06-99 | 11.6 | 10 | 47.8 | 11.6 | 37.6 | 13.5 | 11 | 11 | 4.5 |

Note) ϕ D1: Max. diameter

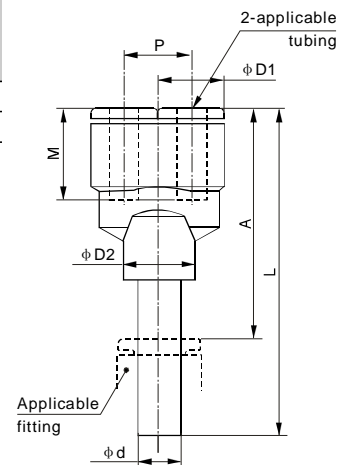


Different Diameter Plug-in "Y": KJX



| Applicable tubing O.D. (mm) | Applicable fitting size ϕ d | Model | Note) ϕ D1 | ϕ D2 | L | P | A | M | Effective area (mm ²) | | Weight (g) |
|-----------------------------|----------------------------------|-----------------|-----------------|-----------|------|-----|------|------|-----------------------------------|----------|------------|
| | | | | | | | | | Nylon | Urethane | |
| 3.2 | 4 | KJX23-04 | 8.4 | 10 | 44.5 | 8.4 | 34.6 | 12.7 | 4.5 | 4.5 | 2.8 |
| 4 | 6 | KJX04-06 | 9.3 | 10 | 45.7 | 9.3 | 35.5 | 12.7 | 8 | 8 | 3.5 |

Note) ϕ D1: Max. diameter



IV

KJ

KQ2

RP

GP

PF

PN

PK

PB

Y

MQC

BSL

AS

RQ

PU

AG,DG

Mini One-touch Fittings

Applicable Tubing: ϕ 3.2, ϕ 4, ϕ 6

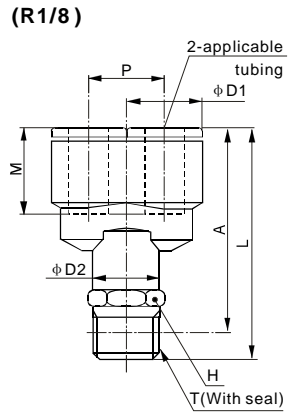
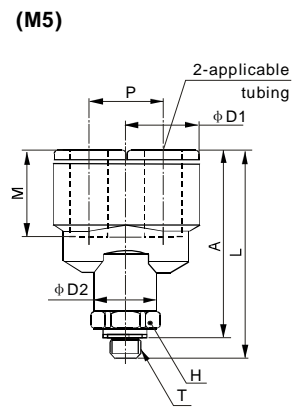
Series KJ

Branch: KJU



| Applicable tubing O.D. (mm) | Connection thread T | Model | H (width across flats) | Note) ϕ D1 | ϕ D2 | L | P | A | M | Effective area (mm ²) | | Weight (g) |
|-----------------------------|---------------------|------------------|------------------------|-----------------|-----------|------|------|------|------|-----------------------------------|----------|------------|
| | | | | | | | | | | Nylon | Urethane | |
| 3.2 | M5×0.8 | KJU23-M5 | 10 | 8.4 | 10 | 30.6 | 8.4 | 27.5 | 12.7 | 2.2 | 2.2 | 5.9 |
| | R1/8 | KJU23-01S | | | | | | | | 3.2 | 2.7 | 8.3 |
| 4 | M5×0.8 | KJU04-M3 | 10 | 9.3 | 10 | 31.3 | 9.3 | 28.2 | 12.7 | 2.2 | 2.2 | 6.4 |
| | R1/8 | KJU04-01S | | | | | | | | 4.5 | 4.5 | 8.8 |
| 6 | M5×0.8 | KJU06-M5 | 10 | 11.6 | 10 | 33.4 | 11.6 | 30.3 | 13.5 | 2.2 | 2.2 | 7.4 |
| | R1/8 | KJU06-01S | | | | | | | | 11 | 11 | 9.9 |

*Reference dimensions after R thread installation.
Note) ϕ D: Max. diameter

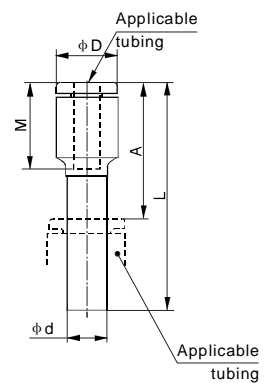


Plug-in Reducer: KJR



| Applicable tubing O.D. (mm) | Applicable fitting size ϕ d | Model | Note) ϕ D | L | A | M | Effective area (mm ²) | | Weight (g) |
|-----------------------------|----------------------------------|-----------------|----------------|------|------|------|-----------------------------------|----------|------------|
| | | | | | | | Nylon | Urethane | |
| 3.2 | 4 | KJR23-04 | 8.4 | 32 | 19.3 | 12.7 | 3 | 2.5 | 0.9 |
| | 6 | KJR23-06 | | 33 | 19.5 | | | | 1.1 |
| 4 | 6 | KJR04-06 | 9.3 | 33.5 | 20 | 12.7 | 4 | 4 | 1.3 |

Note) ϕ D: Max. diameter



Bulkhead Union: KJE



| Applicable tubing O.D. (mm) | Model | T | H (width across flats) | L | Mounting hole | M | Effective area (mm ²) | | Weight (g) |
|-----------------------------|-----------------|----------|------------------------|------|---------------|------|-----------------------------------|----------|------------|
| | | | | | | | Nylon | Urethane | |
| 3.2 | KJE23-00 | M8×0.75 | 10 | 26 | 9 | 12.7 | 3 | 2.5 | 4.6 |
| 4 | KJE04-00 | M9×0.75 | 11 | 26 | 10 | 12.7 | 4 | 4 | 5.6 |
| 6 | KJE06-00 | M11×0.75 | 14 | 27.7 | 12 | 13.5 | 10 | 10 | 8.5 |

