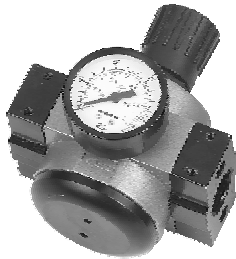


Regulator Series UR

◆ How to Order

UR - 02 N



Thread

Nil	G	N	NPT
-----	---	---	-----

Port size

02	1/4	06	3/4
03	3/8	08	1
04	1/2		

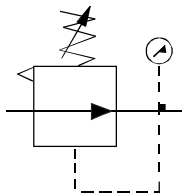
Regulator



◆ Specifications

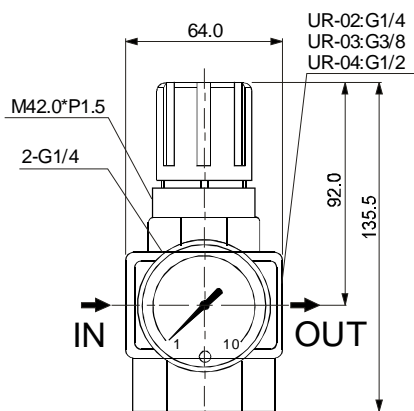
Model	UR-02	UR-03	UR-04	UR-06	UR-08
Port size	1/4	3/8	1/2	3/4	1
Fluid	Air				
Construction	Piston type regulator				
Body material	Aluminum die-cast				
Set pressure range	0.05~0.99 MPa				
Max. Inlet pressure(standard)	1.2 MPa				
Max. flow rate	2100	2130	2750	8000	8500
Ambient and fluid temperature	-10℃~60℃ (No freezing)				
Net weight	740g		1100g		
Accessories	1 Gauge, 1 bracket, 4 screw, 1 plug				

Symbol



◆ Dimensions

UR-02,03,04



UR-06,08

