

5 Port Solenoid Valve

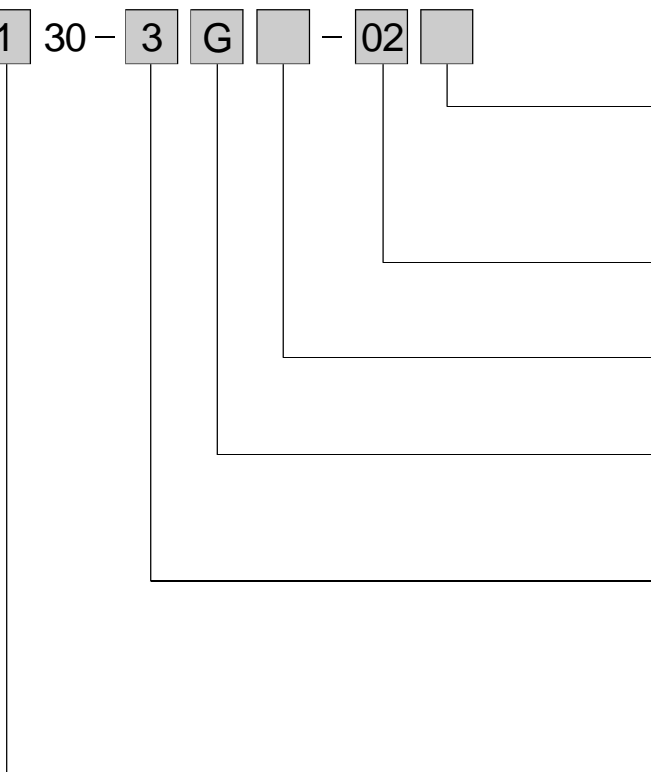
Body Ported

Series VF3000, 5000



◆ How to Order

VF3 1 30 - 3 G [] - 02 []



Thread type

| | |
|-----|-----|
| Nil | Rc |
| F | G |
| N | NPT |

Port size(P,A,B port)

| | |
|----|-----|
| 02 | 1/4 |
|----|-----|

Manual override

| | | | |
|-----|-----------------------|---|----------------------|
| Nil | Non-locking push type | B | Locking slotted type |
|-----|-----------------------|---|----------------------|

Electrical entry

| | |
|---|-----------------------------|
| G | Grommet(Lead wire:300mm) |
| D | DIN terminal with connector |

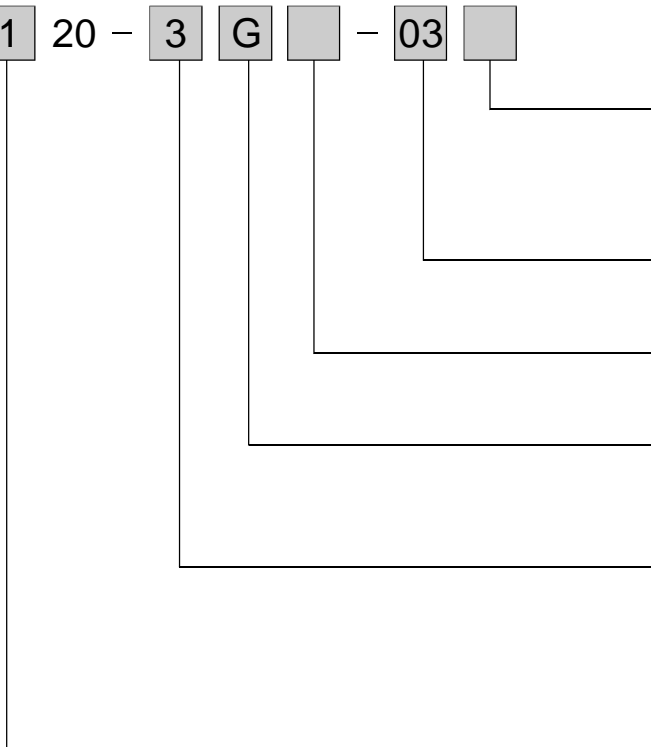
Rated volgte

| | |
|---|-------------------------|
| 3 | 110V to 120VAC, 50/60Hz |
| 4 | 220VAC, 50/60Hz |
| 5 | 24VDC |
| 6 | 12VDC |

Type of actuation

| | | | |
|---|-----------------|---|-----------------|
| 1 | Single solenoid | 4 | Exhaust center |
| 2 | Double solenoid | 5 | Pressure center |
| 3 | Closed center | | |

VF5 1 20 - 3 G [] - 03 []



Thread type

| | |
|-----|-----|
| Nil | Rc |
| F | G |
| N | NPT |

Port size

| | |
|----|-----|
| 03 | 3/8 |
|----|-----|

Manual override

| | | | |
|-----|-----------------------|---|----------------------|
| Nil | Non-locking push type | B | Locking slotted type |
|-----|-----------------------|---|----------------------|

Electrical entry

| | |
|---|---------------------------------|
| G | Grommet(Lead wire length:300mm) |
| D | DIN terminal with connector |

Rated volgte

| | |
|---|-------------------------|
| 3 | 110V to 120VAC, 50/60Hz |
| 4 | 220VAC, 50/60Hz |
| 5 | 24VDC |
| 6 | 12VDC |

Type of actuation

| | | | |
|---|-----------------|---|-----------------|
| 1 | Single solenoid | 4 | Exhaust center |
| 2 | Double solenoid | 5 | Pressure center |
| 3 | Closed center | | |

II

VF

SY

SYJ

4V100

4V200

4V300

4V400

VT307

VP

3V

2W

2WH

2L

2V

2P

VFA

SYA

4A100

4A200

4A300

3A100

3A200

3A300

3L

4L

4H

SL,SH

4HV

HV,K

3FM

3F

4F

FV

MSV

MOV

JM

TAC

HSV

RE

ASC

KA

ACV

KS

QE

Manifold

5 Port Solenoid Valve

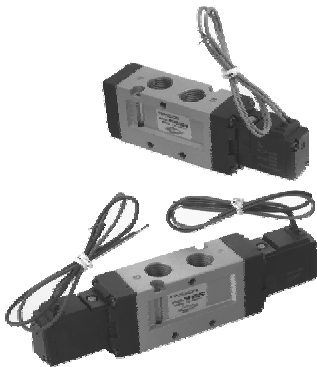
Body Ported

Series VF3000, 5000

◆ Specifications



VF3000



VF5000

| Series | | VF3000 | VF5000 |
|-------------------------------|-----------------------------|--|--------|
| Fluid | | Air | |
| Operating pressure range | 2 position single/3position | 0.15~0.9MPa | |
| | 2 position double | 0.1~0.9MPa | |
| Ambient and fluid temperature | | -10~50°C (No freezing) | |
| Response time | 2 position single/double | 20 ms or less(at the pressure of 0.5MPa) | |
| | 3 position | 40 ms or less(at the pressure of 0.5MPa) | |
| Max.operating frequency | 2 position single/double | 10Hz | 5Hz |
| | 3 position | 3Hz | 3Hz |
| Lubrication | | Not required | |
| Manual override | | Non-locking push, Locking slotted type | |
| Mounting orientation | | Unrestricted | |
| Shock/Vibration resistance | | 300/50 (m/s ²) | |
| Enclosure | | Dustproof | |

◆ Solenoid Specifications

| | | | |
|-------------------------------|------------|----------------------------|---------------------------|
| Electrical entry | | Grommet, DIN terminal | |
| Coil rated voltage(V) | AC 50/60Hz | 110, 220 | |
| | DC | 24, 12 | |
| Allowable voltage fluctuation | | -15~ +10% of rated voltage | |
| Apparent power | AC | Inrush | 5.6VA (50Hz), 5.0VA(60Hz) |
| | | Holding | 3.4VA(50Hz), 2.3VA(60Hz) |
| Power consumption | DC | 1.8W | |

Symbol

| Single VF3130, VF5120 | Double VF3230, VF5220 | Close center VF3330, VF5320 | Exhaust center VF3430, VF5420 | Pressure center VF3530, VF5520 |
|--------------------------|--------------------------|--------------------------------|----------------------------------|-----------------------------------|
| | | | | |

◆ Flow Characteristics/Weight

| Valve model | Type of actuation | Port size | Flow characteristics | | | | | | Weight (kg) |
|-----------------------------|----------------------------|-----------|-----------------------------|----------------|---------------|-----------------------------|----------------|----------------|-------------|
| | | | 1→4/2(P→A/B) | | | 4/2→5/3(A/B→EA/EB) | | | |
| | | | C(dm ³ /(s·bar)) | b | Cv | C(dm ³ /(s·bar)) | b | Cv | |
| VF3□30-□□-02 Body ported | 2 position single | 1/4 | 4.0 | 0.36 | 1.0 | 3.1 | 0.32 | 0.75 | 0.21 |
| | 2 position double | | 4.0 | 0.36 | 1.0 | 3.1 | 0.32 | 0.75 | 0.29 |
| | 3 position closed center | | 2.4 | 0.45 | 0.68 | 1.9 | 0.37 | 0.47 | 0.44 |
| | 3 position exhaust center | | 3.0 | 0.42 | 0.82 | 3.1 (2.7) | 0.36 (0.29) | 0.79 (0.66) | 0.44 |
| | 3 position pressure center | | 5.5 (1.4) | 0.37 (0.50) | 1.4 (0.40) | 2.6 | 0.32 | 0.64 | 0.44 |
| VF5□20-□□-03 Body ported | 2 position single | 3/8 | 8.8 | 0.44 | 2.4 | 10 | 0.49 | 2.9 | 0.38 |
| | 2 position double | | 8.8 | 0.44 | 2.4 | 10 | 0.49 | 2.9 | 0.45 |
| | 3 position closed center | | 7.5 | 0.43 | 2.0 | 7.5 | 0.38 | 1.9 | 0.56 |
| | 3 position exhaust center | | 8.3 | 0.40 | 2.2 | 10 (8.7) | 0.48 (0.46) | 3.0 (2.4) | 0.56 |
| | 3 position pressure center | | 9.2 (3.0) | 0.50 (0.49) | 2.6 (0.85) | 6.1 | 0.35 | 1.6 | 0.56 |

Note: () denotes normal position.

5 Port Solenoid Valve

Body Ported

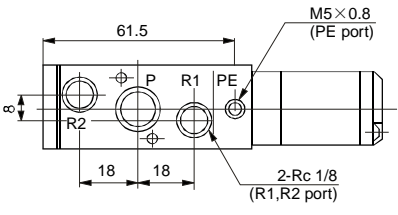
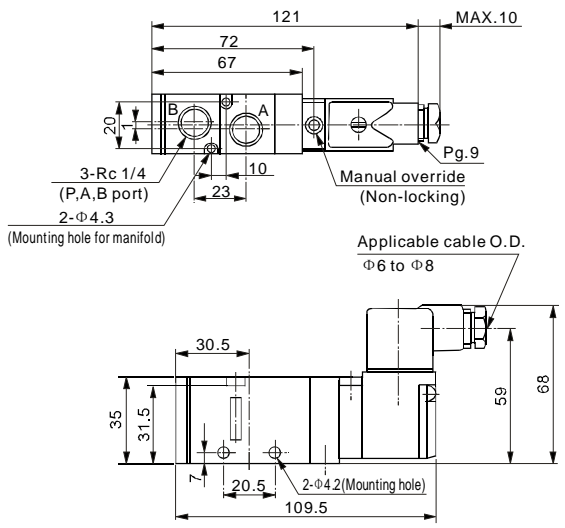
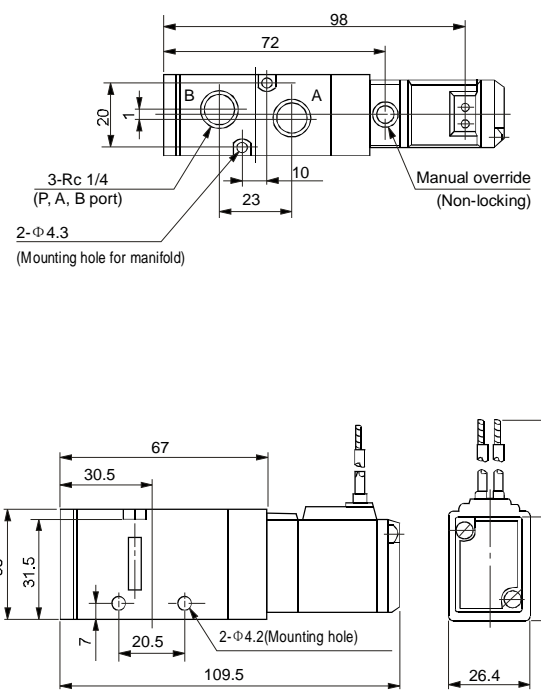
Series VF3000, 5000



◆ Dimensions

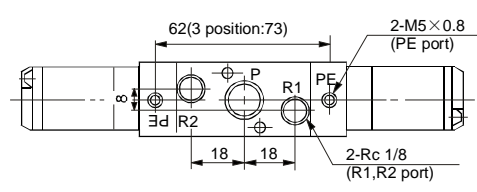
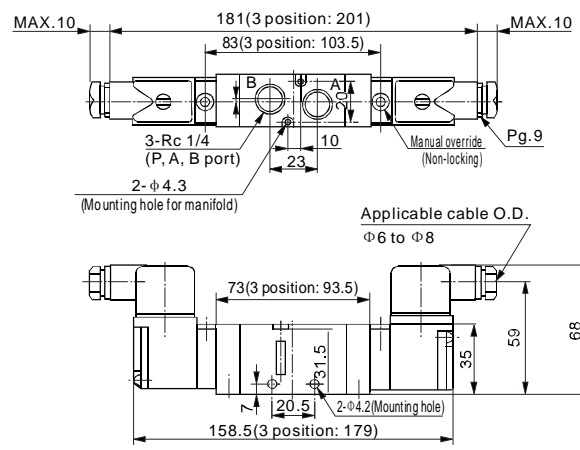
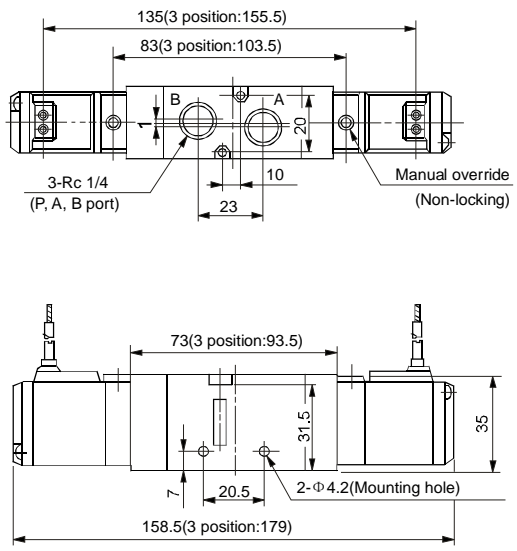
Body Ported: 2 position Single Solenoid
Grommet: VF3130-□G-02

DIN terminal: VF3130-□D-02



Body Ported: 2 Position Double solenoid,
3 Position Closed Center/Exhaust Center/
Pressure Center
Grommet: VF3□30-G-02

DIN terminal: VF3□30-□D-02



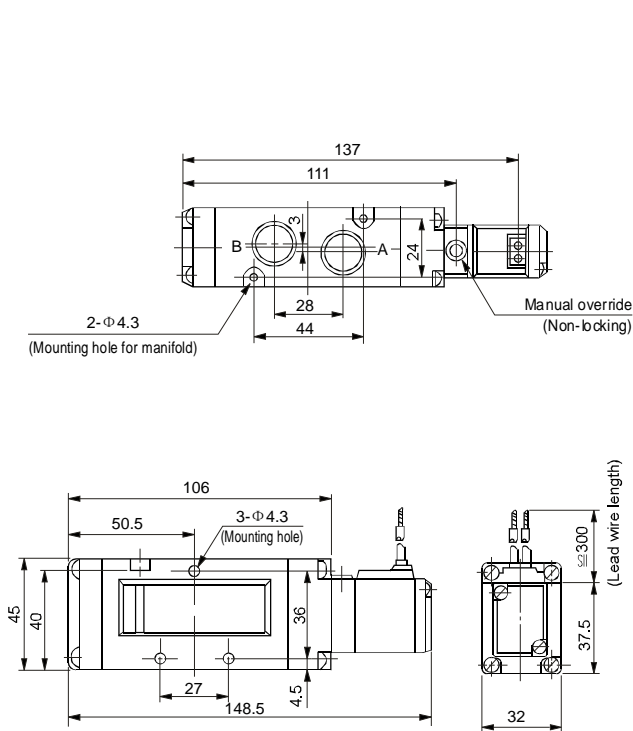
| |
|----------|
| II |
| VF |
| SY |
| SYJ |
| 4V100 |
| 4V200 |
| 4V300 |
| 4V400 |
| VT307 |
| VP |
| 3V |
| 2W |
| 2WH |
| 2L |
| 2V |
| 2P |
| VFA |
| SYA |
| 4A100 |
| 4A200 |
| 4A300 |
| 3A100 |
| 3A200 |
| 3A300 |
| 3L |
| 4L |
| 4H |
| SL,SH |
| 4HV |
| HV,K |
| 3FM |
| 3F |
| 4F |
| FV |
| MSV |
| MOV |
| JM |
| TAC |
| HSV |
| RE |
| ASC |
| KA |
| ACV |
| KS |
| QE |
| Manifold |

5 Port Solenoid Valve

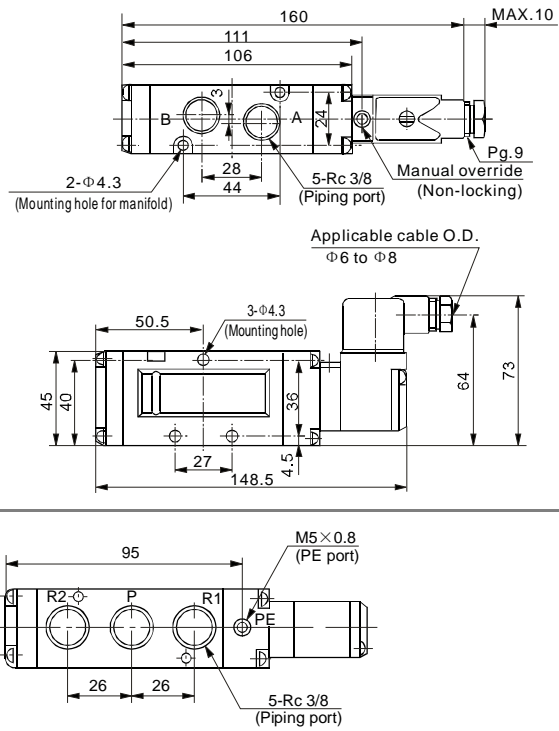
Body Ported

Series VF3000, 5000

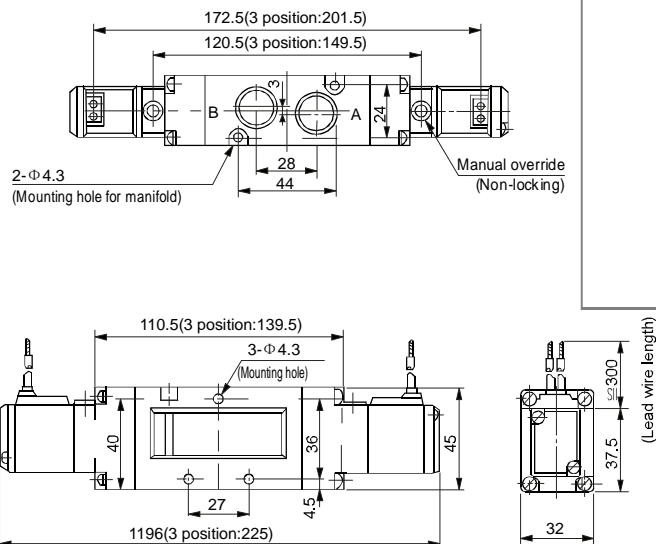
Body Ported: 2 position Single Solenoid
Grommet:VF5120-□G-03



DIN terminal: VF5120-□D-03



**Body Ported: 2 Position Double solenoid,
3 Position Closed Center/Exhaust Center/
Pressure Center**
Grommet:VF5□20-G-03



DIN terminal: VF5□20-□D-03

