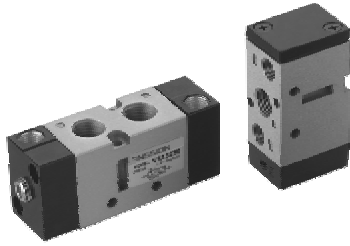


5 Port Air Operated Valve

Body Ported

Series VFA3000, 5000

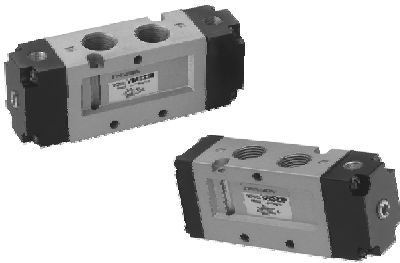
◆ Specifications



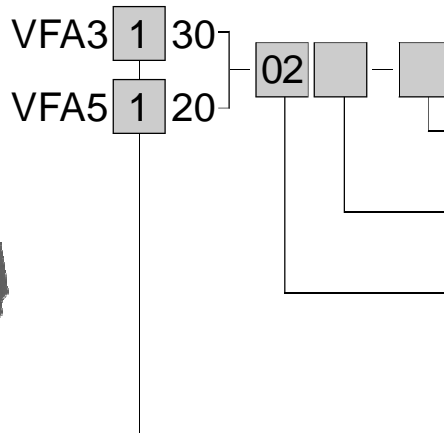
VFA3000

Fluid		Air
Operating pressure range	2 position single	0.15~0.9 MPa
	2 position double	0.1~0.9 MPa
	3 position	0.15~0.9 MPa
Pilot pressure range	2 position single	(0.4 × P+0.1)~0.9P: Operating pressure range
	2 position double	0.1~0.9 MPa
	3 position	0.15~0.9 MPa
Ambient and fluid temperature		-10~60°C (No freezing)
Lubrication		Not required
Mounting orientation		Free
Impact/Vibration resistance		300/50 (m/s ²)

◆ How to Order



VFA5000



1 (P) port location

Nil	2 position	-X1	3 position
-----	------------	-----	------------

Thread type (Including pilot port)

Nil	Rc	F	G	N	NPT
-----	----	---	---	---	-----

Port size (P,A,B port)

Symbol	Port size	Applicable series
02	1/4	VFA3000
03	3/8	VFA5000

Function

1	2 position single acting
2	2 position double acting
3	3 position closed center
4	3 position exhaust center
5	3 position pressure center

Symbol

2 position single VFA3000, 5000	2 position double VFA3000, 5000	3 position closed center VFA3000, 5000	3 position exhaust center VFA3000, 5000	3 position pressure center VFA3000, 5000

◆ Flow Characteristics/Weight

Valve model	Function	Port size	Pilot port size	Flow characteristics						Weight (kg)
				1 → 4/2 (P → A/B)			4/2 → 5/3 (A/B → EA/EB)			
				C (dm ³ /(s · bar))	b	Cv	C (dm ³ /(s · bar))	b	Cv	
Body ported VFA3 1 30-02	2 position single	1/4	1/8	4.0	0.36	1.0	3.1	0.32	0.75	0.15
	2 position double			4.0	0.36	1.0	3.1	0.32	0.75	0.17
	3 position closed center			2.4	0.45	0.68	1.9	0.37	0.47	0.32
	3 position exhaust center			3.0	0.42	0.82	3.1 (2.7)	0.36 (0.29)	0.79 (0.66)	0.32
VFA5 1 20-03	2 position single	3/8	1/8	5.5 (1.4)	0.37 (0.50)	1.4 (0.4)	2.6	0.32	0.64	0.32
	2 position double			8.8	0.44	2.4	10	0.49	2.9	0.33
VFA5 4 20-03-X1	3 position closed center	3/8	1/8	7.5	0.43	2.0	7.5	0.38	1.9	0.43
	3 position exhaust center			8.3	0.40	2.2	10 (8.7)	0.48 (0.46)	3.0 (2.4)	0.43
	3 position pressure center			9.2 (3.0)	0.50 (0.49)	2.6 (0.85)	6.1	0.35	1.6	0.43

5 Port Air Operated Valve

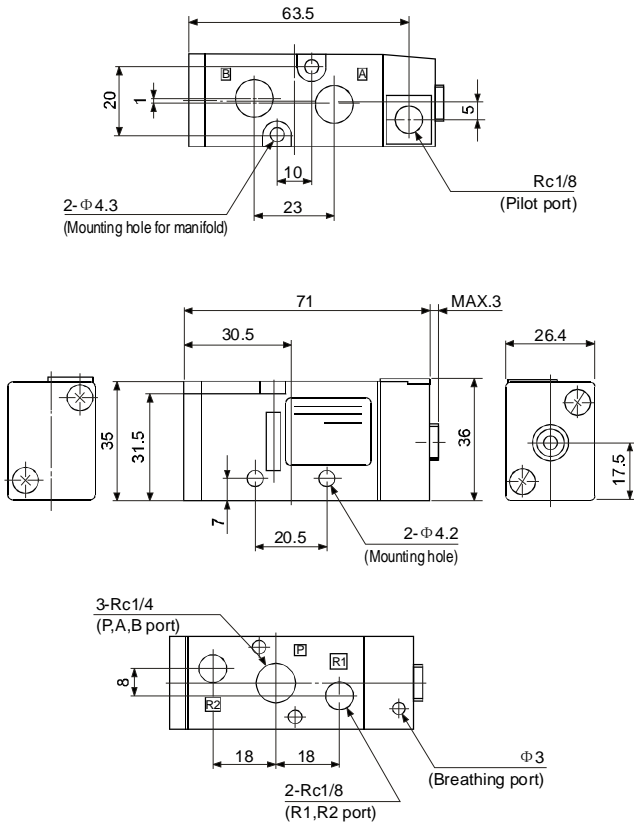
Body Ported

Series VFA3000, 5000

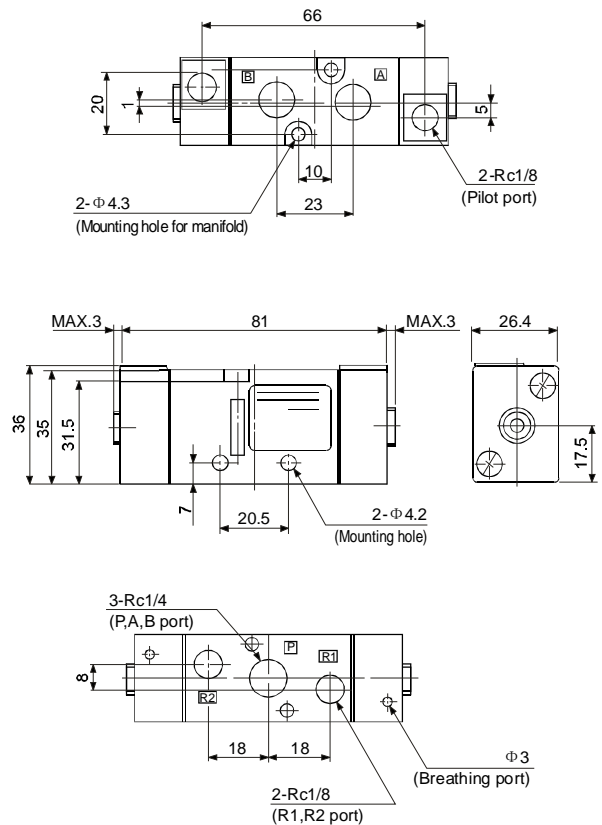


◆ Dimensions: Body Ported (VFA3000 Series)

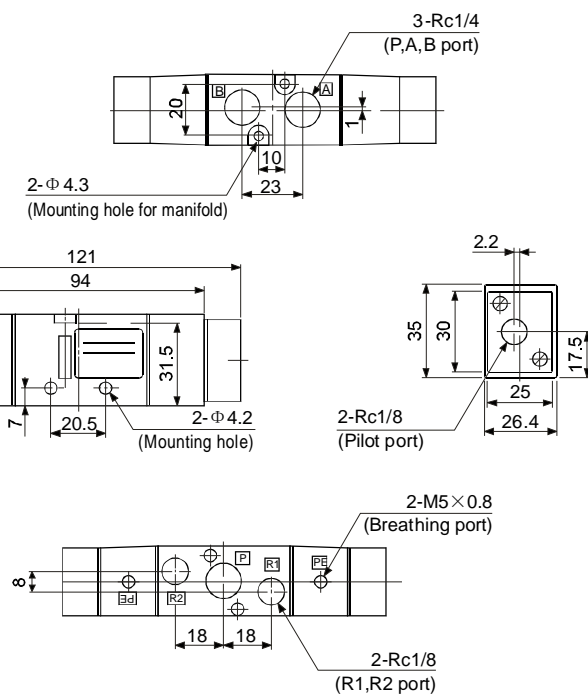
2 position single: VFA3130-02



2 position double: VFA3230-02



3 position closed center/exhaust center/pressure center: VFA3430-02-X1



II
VF
SY
SYJ
4V100
4V200
4V300
4V400
VT307
VP
3V
2W
2WH
2L
2V
2P
VFA
SYA
4A100
4A200
4A300
3A100
3A200
3A300
3L
4L
4H
SL,SH
4HV
HV,K
3FM
3F
4F
FV
MSV
MOV
JM
TAC
HSV
RE
ASC
KA
ACV
KS
QE
Manifold

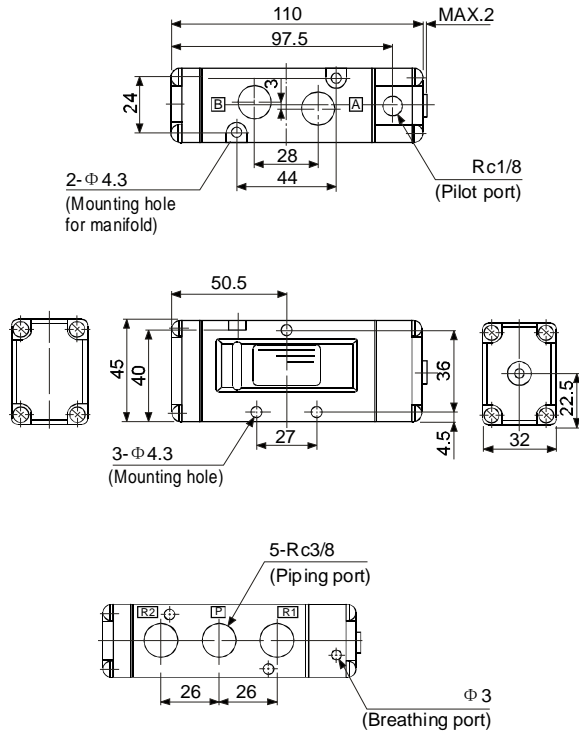
5 Port Air Operated Valve

Body Ported

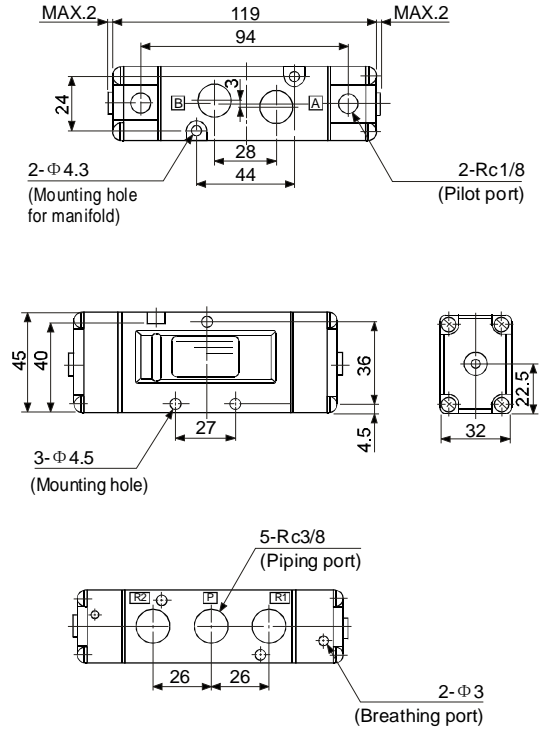
Series VFA3000, 5000

◆ **Dimensions: Body Ported (VFA5000 Series)**

2 position single: VFA5120-03



2 position double: VFA5220-03



3 position closed center/exhaust center/pressure center: VFA5420-03-X1

